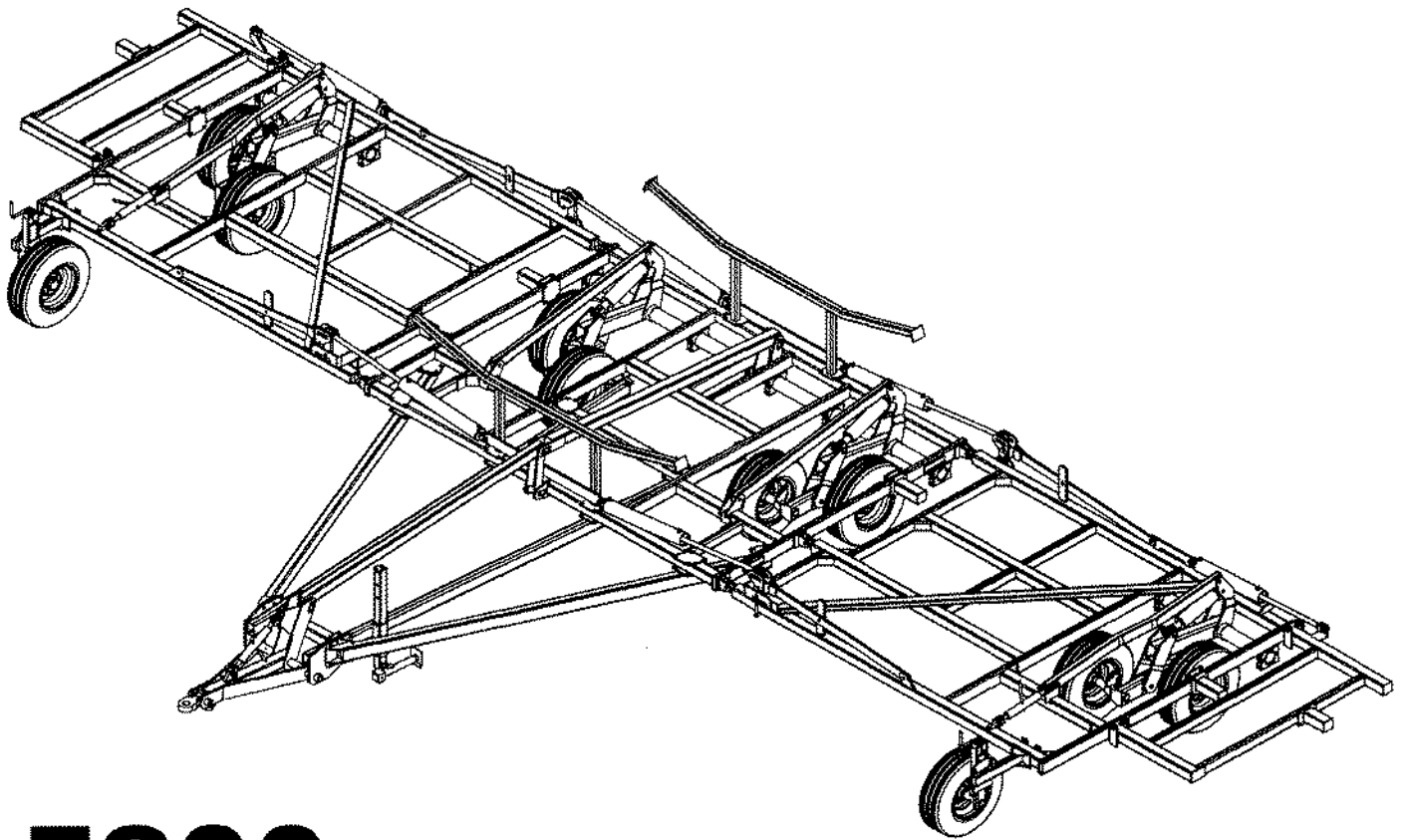




PARTS MANUAL



5800 CHISEL PLOW

Printed in USA (74243) 6/04

 **WIL-RICH**

PO Box 1030

Wahpeton, ND 58074

PH (701) 642-2621

Fax (701) 642-3372

Orientation

Any reference to left (L) or right (R) sides or components is to be understood as being viewed from behind the implement and looking forward.

Serial Number Break

Every implement has a serial number located on the frame. These serial numbers are consecutively assigned to the implements as they are manufactured. To aid in part ordering, we reference to the serial number at the point the change occurred to provide an accurate means of determining the proper parts. See contents graphic, page 3, for location.

Modifications

It is the policy of **WIL-RICH** Operations to improve its products whenever possible and practical to do so. We reserve the right to make changes, improvements, and modifications at any time without incurring the obligation to make such changes, improvements and modifications on any equipment sold previously.

Abbreviations

ASSY	Assembly
BLD	Blade
BRKT	Bracket
CTR	Center
CP	Cup Point
(FF)	Female Female
GR	Grade of Bolt
HD	Heavy Duty
HDWE	Hardware
LH	Left Hand
(MF)	Male Female
MF	Main Frame
MTG	Mounting
NC	National Course Thread
NF	National Fine Thread
NPT	National Pipe Thread
RH	Right Hand
SS	Screw Stop
SST	Stainless Steel
TA	Tandem
TBP	Top Bypass
W/	With
W/O	Without

Standard Nuts and Lock Washers

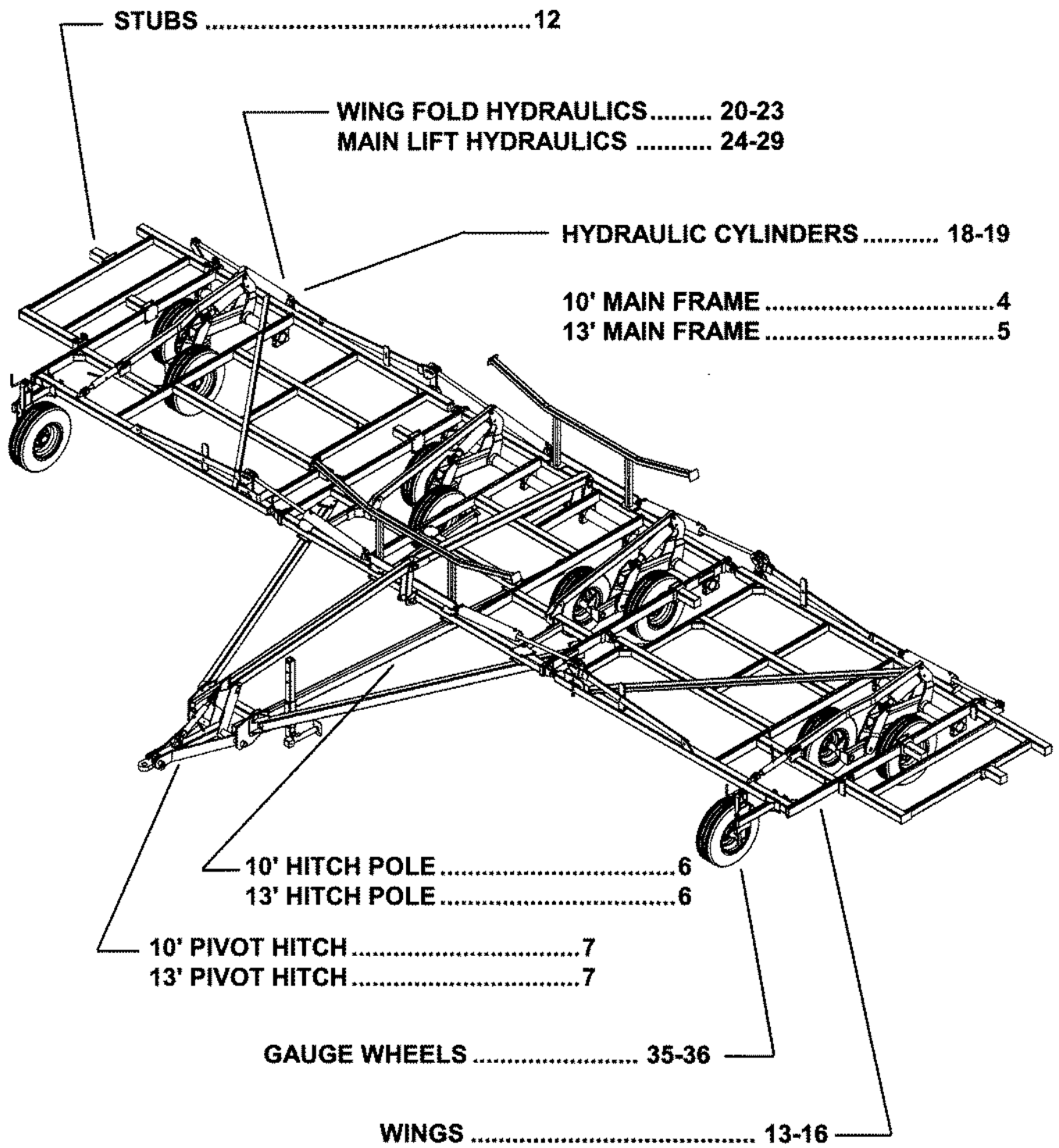
88172	1/4NC Nut	88262	1/4 Lock Washer
88103	3/8NC Nut	88362	3/8 Lock Washer
88104	1/2NC Nut	88303	1/2 Lock Washer
88126	5/8NC Nut	88129	5/8 Lock Washer
88110	3/4NC Nut	88130	3/4 Lock Washer
88371	7/8NC Nut	88341	7/8 Lock Washer

Note: Standard nuts and lock washers are not called out. Anything other than standard will be called out.

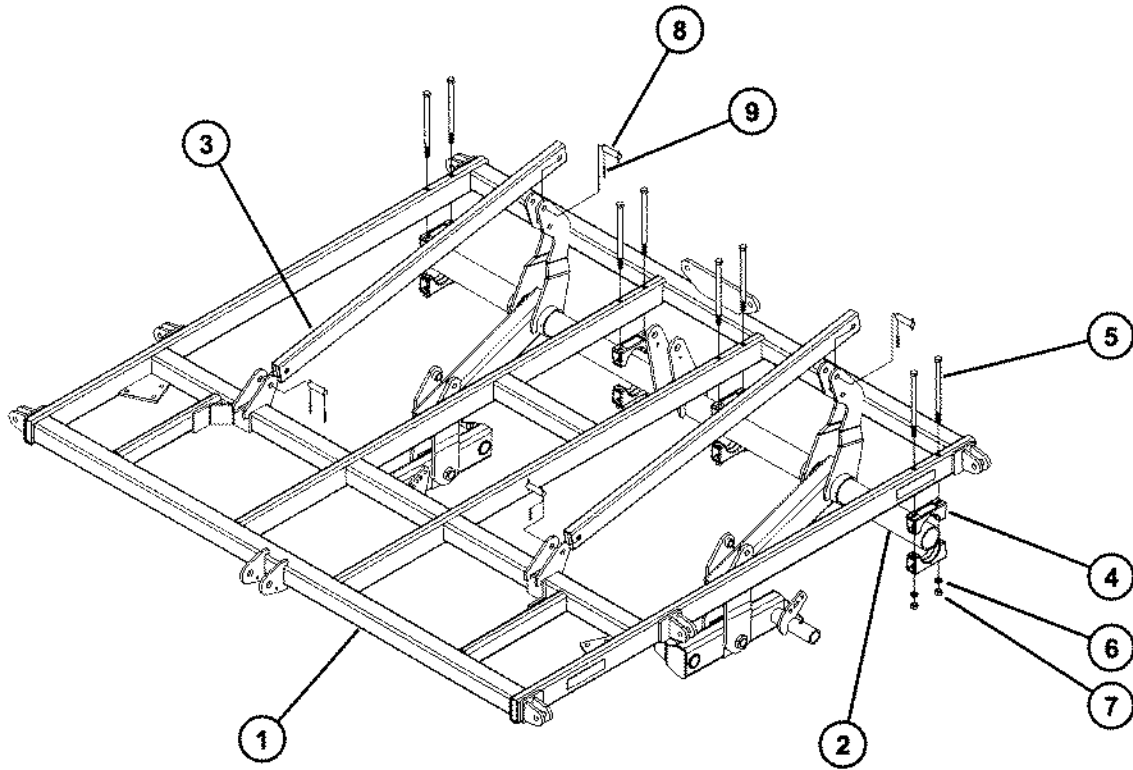
CONTENTS

10' MAIN FRAME	4
13' MAIN FRAME	5
HITCH POLE	6
PIVOT HITCH	7
10' MAIN FRAME WING REST	8
13' MAIN FRAME WING REST	9
JACK STAND	10
MAIN FRAME & WING TANDEM AXLE	11
1' & 2' STUB ATTACHEMENTS	12
1' STUB ATTACHMENT (2X4)	12
4' WING	13
6' WING	14
9' WING	15
12' WING	16
3' OUTER WING	17
WING FOLD CYLINDERS	18
MAIN LIFT CYLINDERS	19
5810 WING FOLD HYDRAULICS	20
5830 WING FOLD HYDRAULICS	21
5830 WING FOLD HYDRAULICS	20
5830 WING FOLD HYDRAULICS	22
5830 WING FOLD HYDRAULICS	23
5810 MAIN LIFT HYDRAULICS	24
5810 MAIN LIFT HYDRAULICS	25
5810 MAIN LIFT HYDRAULICS	26
5830 MAIN LIFT HYDRAULICS	27
5830 MAIN LIFT HYDRAULICS	28
5830 MAIN LIFT HYDRAULICS	29
1000 LB CP SHANK ASSEMBLY	30
STD SHANK ASSEMBLY	31
CP SHANK MEASUREMENT	32
2" HUB & SPINDLE	33
SPIKES	34
RIGID GAUGE WHEEL	35
CASTERING GAUGE WHEEL	36
AUXILIARY HITCH	37
REAR JACK STAND	38
MUD SCRAPERS	39
DECALS	40
INDEX	41-43
WARRANTY	44

CONTENTS



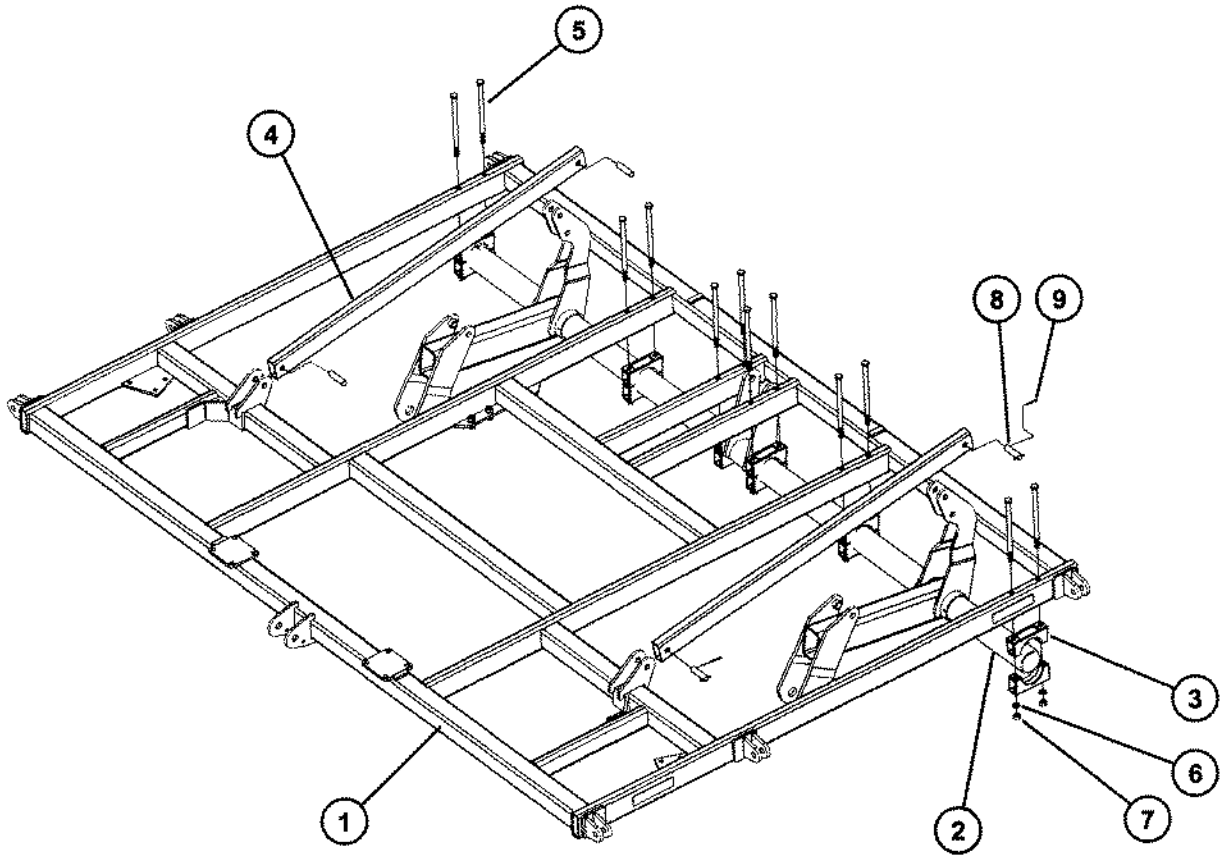
10' MAIN FRAME



233990_A.PLT

ITEM	PART NO.	DESCRIPTION
1	233860	10FT 5810 CP MAIN FRAME
2	221928	10FT 5810 CP MAIN AXLE ASSY
3	233565	MAIN MAST TUBE
4	34132	AXLE CLAMP ASSEMBLY
5	89165	3/4NCx13 GR5 BOLT
6	88130	WSHR HLK 3/4ID(13/16ACT) Z
7	88110	NUT HEX 3/4NC
8	221714	HEADLESS PIN(2) 1x3-7/32
9	42484	1/4 x 2-1/4 ROLL PIN

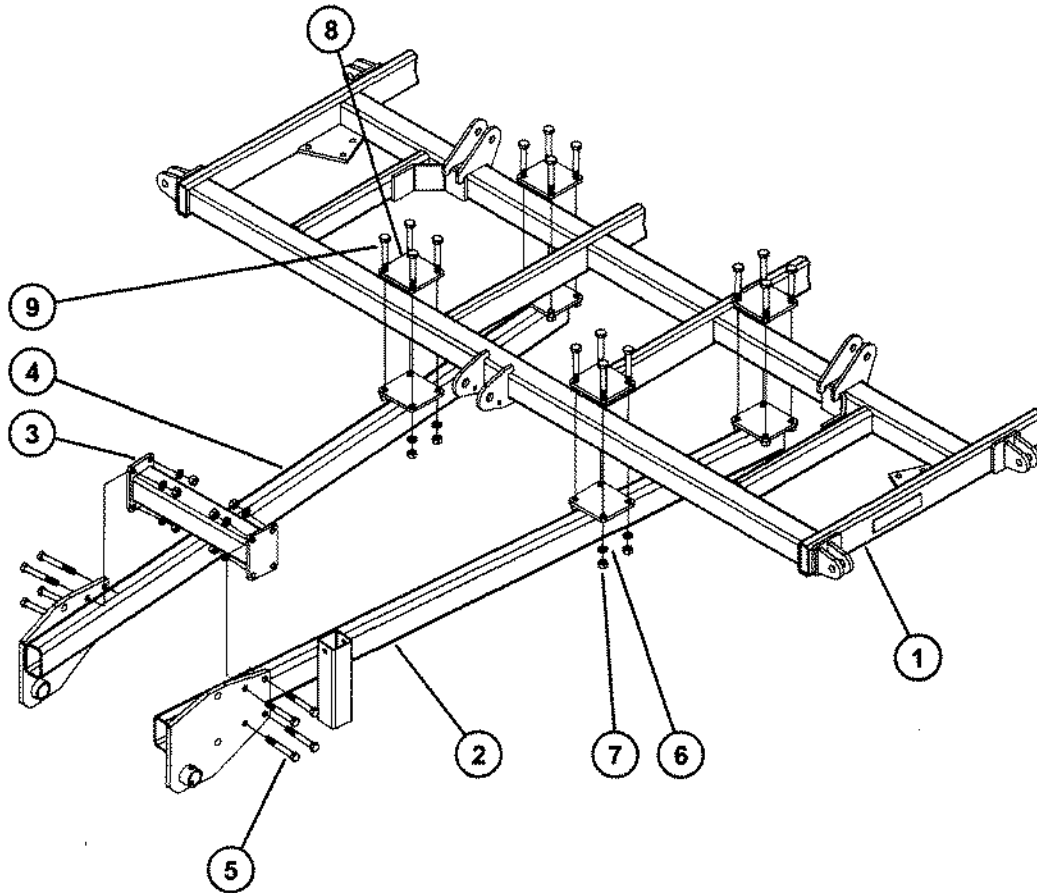
13' MAIN FRAME



233271_A.PLT

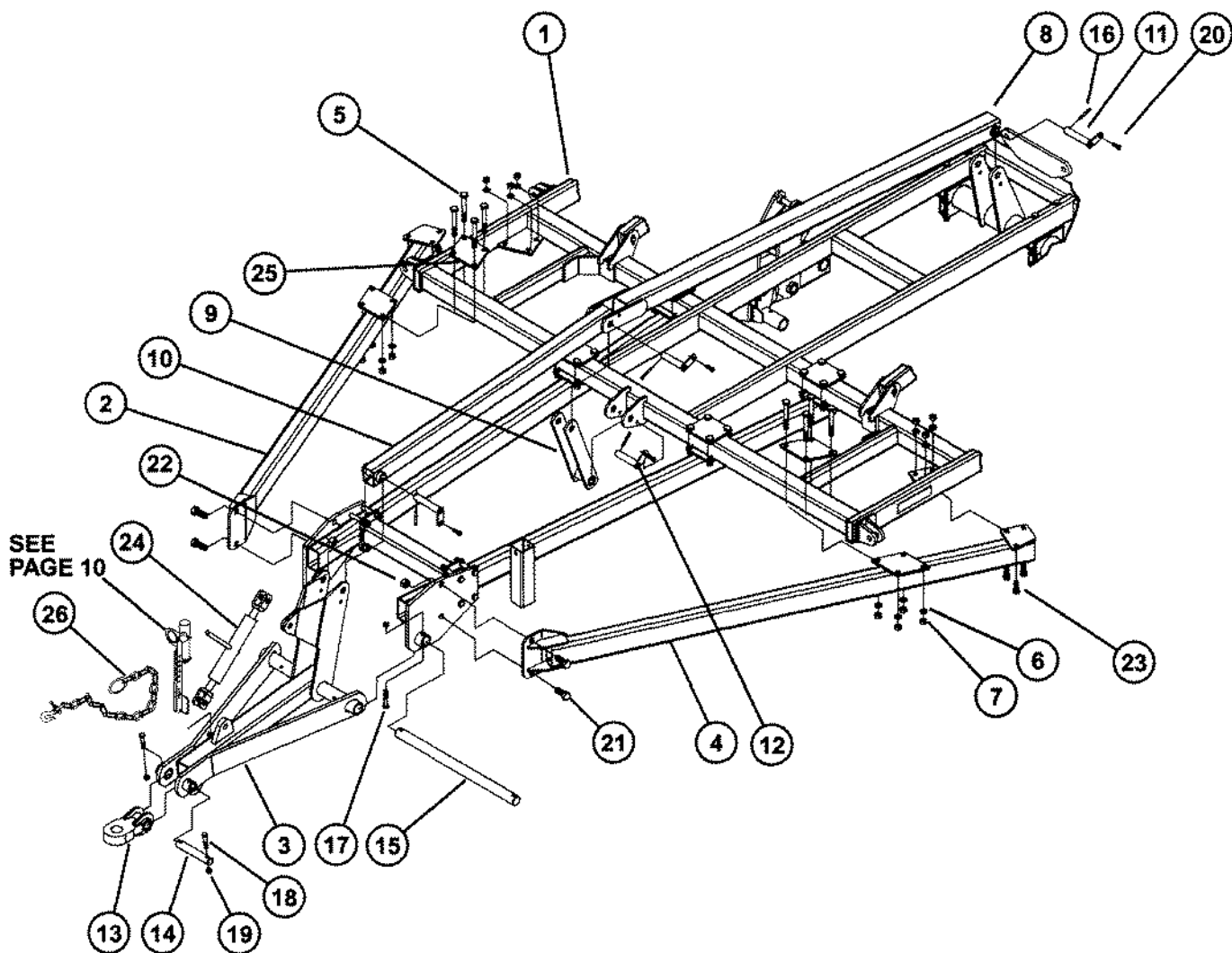
ITEM	PART NO.	DESCRIPTION
1	221908	13FT CHISEL PLOW FRAME
2	222900	13FT CP MAIN AXLE ASSY
3	34132	AXLE CLAMP ASSEMBLY
4	233315	MAIN MAST TUBE
5	89165	3/4NCx13 GR5 BOLT
6	88130	WSHR HLK 3/4ID(13/16ACT)
7	88110	NUT HEX 3/4NC
8	221714	HEADLESS PIN(2) 1x3-7/32
9	42484	1/4 x 2-1/4 ROLL PIN

PIVOT HITCH



ITEM	PART NO.	DESCRIPTION
1	233860	10FT 5810 CP MAIN FRAME
	221908	13FT 5830 CP MAIN FRAME
2	233858	10FT 5810 LEFT HITCH POLE
	221919	13FT 5830 LEFT HITCH POLE
3	221918	HITCH TIE TUBE
4	233859	10FT 5810 RIGHT HITCH POLE
	221914	13FT 5830 RIGHT HITCH POLE
5	88579	3/4NCx5-1/2 GR5 BOLT
6	88130	WSHR HLK 3/4ID(13/16ACT)
7	88110	NUT HEX 3/4NC
8	233234	MOUNT PLATE PAINTED (221911)
9	88293	3/4NCx6 GR5 BOLT

PIVOT HITCH (Continued)



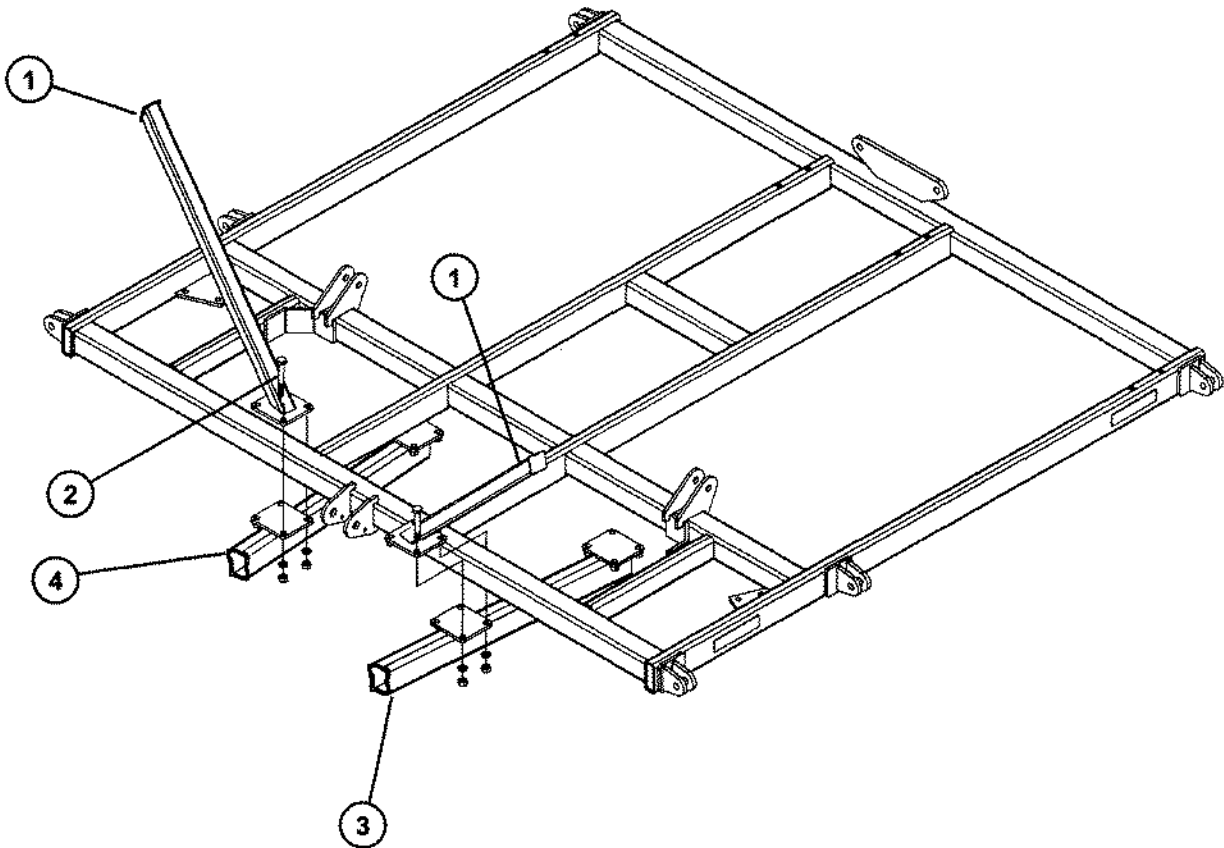
ITEM PART NO. DESCRIPTION

1	233860	10FT 5810 CP MAIN FRAME
	221908	13FT 5830 CP MAIN FRAME
2	233856	10FT 5810 OUTER POLE BRACE - RIGHT
	221923	13FT 5830 OUTER POLE BRACE - RIGHT
3	221931	CHISEL PLOW PIVOT HITCH
4	233854	10FT 5810 OUTER POLE BRACE - LEFT
	221994	13FT 5830 OUTER POLE BRACE - LEFT
5	88293	3/4NCx6 GR5 BOLT
6	88130	WSHR HLK 3/4ID
7	88110	NUT HEX 3/4NC
8	233318	REAR CENTER MAST TUBE
9	233323	FRONT MAST LEVER
10	233868	5810 FRONT LIFT TUBE - 62"
	233326	5830 FRONT LIFT TUBE - 103"
11	233356	LINKAGE PIN 1-1/4x6-3/16
12	233357	LINKAGE PIN 1-1/4x5-3/16
13	222189	CAT HITCH
	234830	CLEVIS HITCH

ITEM PART NO. DESCRIPTION

14	222187	HEADLESS PIN(2) 1-1/2x6-9/16
15	222047	PIVOT SHAFT
16	88771	PIN ROLL 3/8DIAx3
17	89122	5/8NCx3-1/2 GR8 BOLT
18	88408	5/8NCx3 GR5 BOLT
19	88369	NUT 2POSLK 5/8NC
20	88475	1/2NCx1-1/2 GR5 BOLT
21	88393	1NCx2-1/2 GR5 BOLT
22	89075	NUT NYLON LOCK 1NC
23	88290	3/4NCx2 GR8 BOLT
24	33104	GAUGE WHEEL JACK
25	233233	MOUNT PLATE PAINTED (221921)
26	24459	SAFETY CHAIN

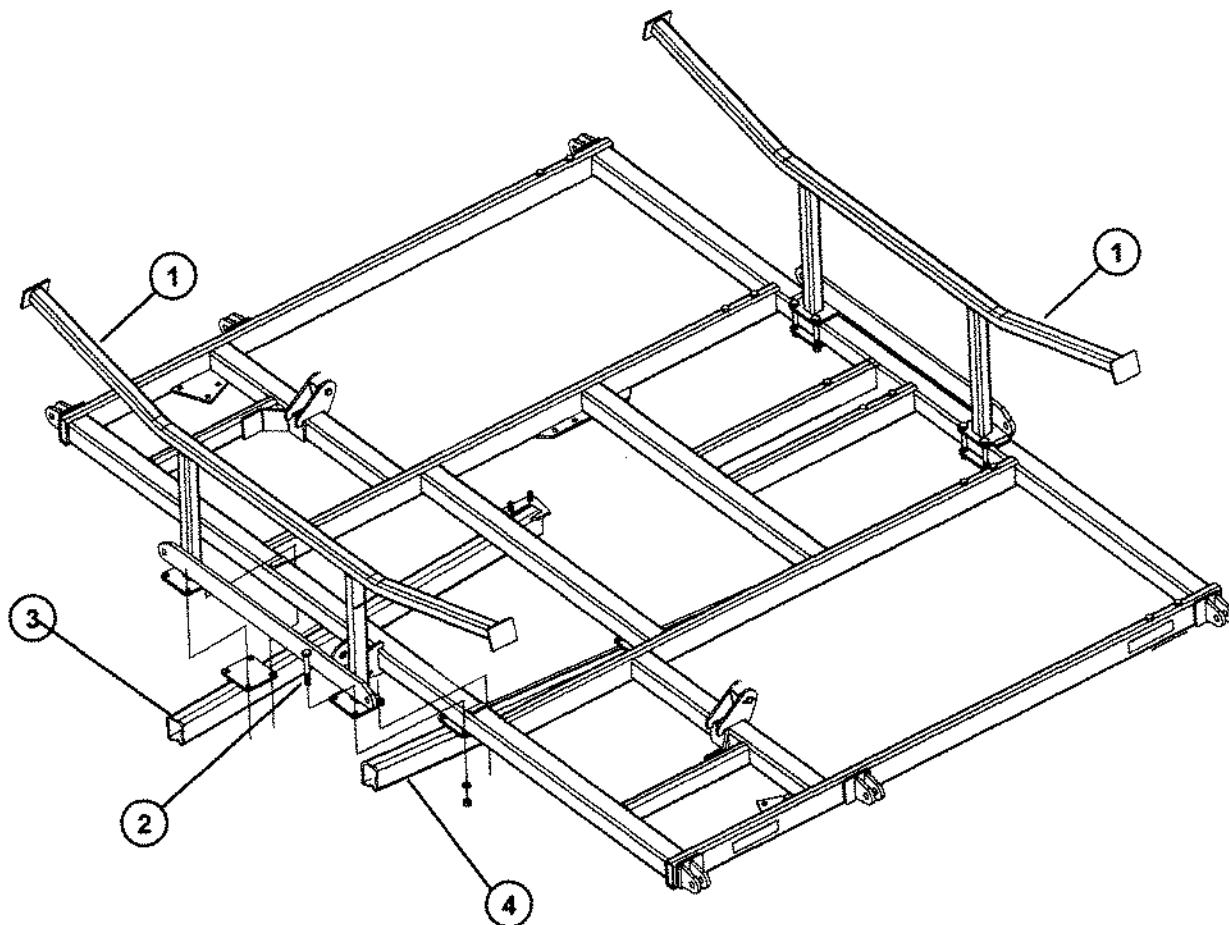
10' MAIN FRAME WING RESTS



ITEM	PART NO.	DESCRIPTION
1	233866	6FT 5810 WING REST
2	88293	3/4NCx6 GR5 BOLT
3	221994	OUTER POLE BRACE - LEFT
4	221923	OUTER POLE BRACE - RIGHT

NOTE:
10 FT MAIN FRAMES W/6FT WINGS - WING RESTS ARE MOUNTED ON THE FRONT OF MAIN FRAME ONLY. 4FT WINGS REQUIRE NO WING RESTS, THE 4FT WING HAS A REST BUILT INTO ITS HINGE.

13' MAIN FRAME WING REST

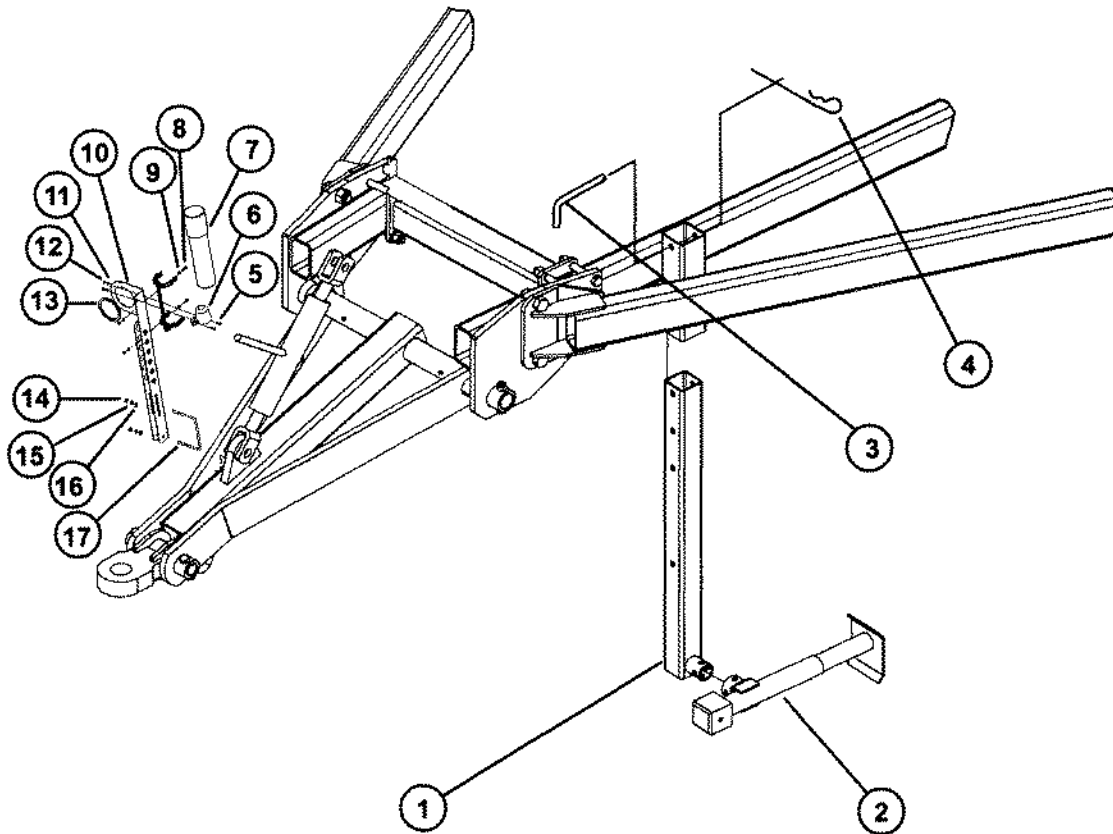


ITEM	PART NO.	DESCRIPTION
1	222046	WING REST
2	88293	3/4NCx6 GR5 BOLT
3	221914	RIGHT HITCH POLE
4	221919	LEFT HITCH POLE

NOTE:

13 FT MAIN FRAMES - 222046 WING REST IS MOUNTED IN THE FRONT AND REAR, AS SHOWN, WITH 9FT AND 12FT WINGS. 6FT WINGS REQUIRE BACK REST ON REAR OF IMPLEMENT ONLY.

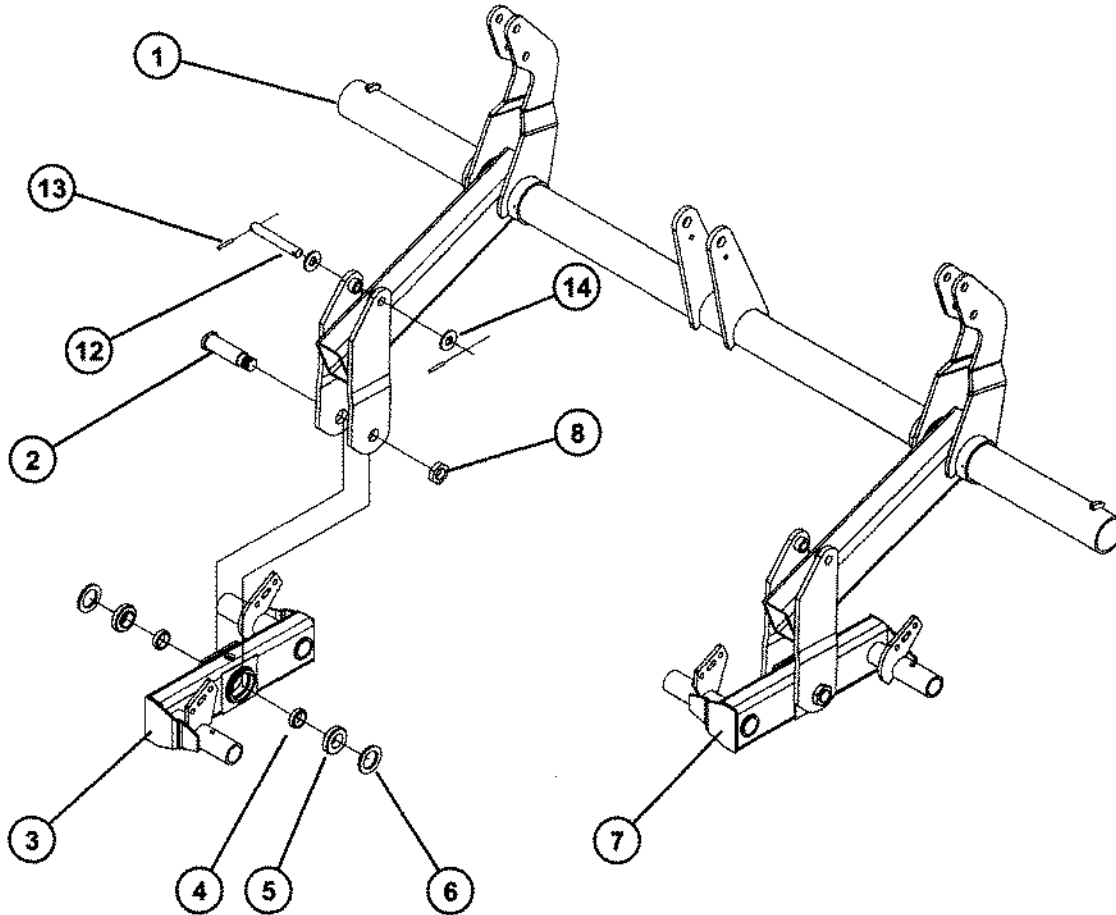
JACK STAND AND UTILITY POLE



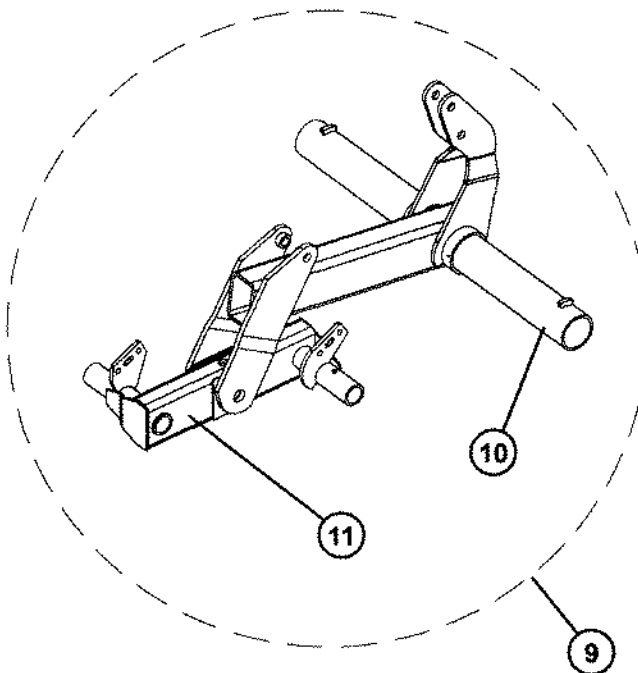
79274

ITEM	PART NO.	DESCRIPTION
1	233208	JACK MOUNT TUBE
2	12796	POLE JACK
3	11984	WING LOCK PIN 5/8x4-15/16
4	88435	PIN-HAIR .14 x 2.56
5	88203	1/4NCx1 BOLT
6	223329	PLUG HOLDER
7	234313	MANUAL TUBE WITH BRACKET
8	88993	1/4NCx3/4 BOLT
9	88261	1/4" FLAT WASHER
10	236142	HYD HOSE BRACKET
11	88262	1/4" LOCK WASHER
12	88172	1/4NC HEX NUT
13	236092	RUBBER EDGE
14	88103	3/8NC HEX NUT
15	88362	3/8" LOCK WASHER
16	88282	3/8" FLAT WASHER
17	88385	3/8NCx4x5 U-BOLT

MAIN FRAME & WING TANDEM AXLE



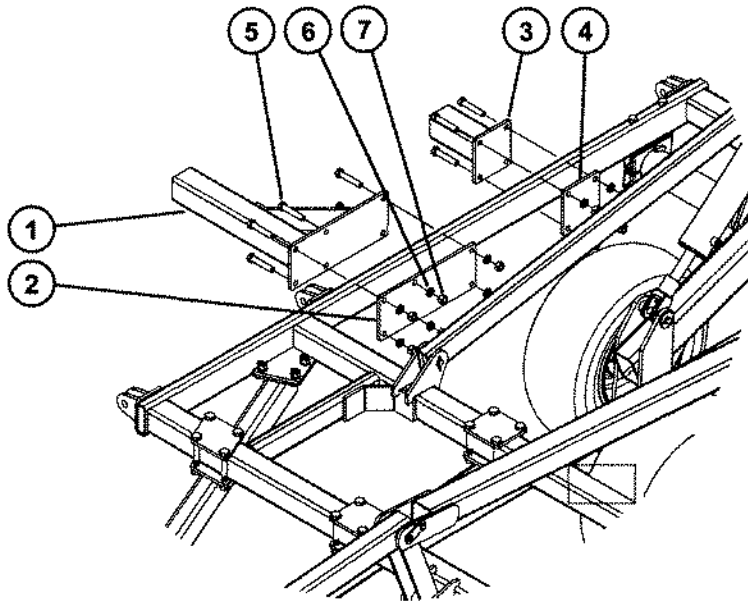
79281



233271_WING_TANDEM_AXLE.PLT

ITEM	PART NO.	DESCRIPTION
1	233862	10FT 5810 CP MAIN AXLE
	221938	13FT CP MAIN AXLE
2	16277	TANDEM SHAFT
3	221943	RIGHT 3x20 WALKING TANDEM
4	16278	BEARING BUSHING
5	12103	BEARING CONE 1-3/4ID (25580)
6	23120	SEAL
7	221944	LEFT 3x20 WALKING TANDEM
8	42082	1-1/2NF HYDRA JAM LOCK NUT
9	222902	CP WING AXLE ASSY - LEFT (SHOWN)
	222901	CP WING AXLE ASSY - RIGHT
10	221841	CHISEL PLOW WING AXLE
11	221944	LEFT 3x20 WALKING TANDEM (SHOWN)
	221943	RIGHT 3x20 WALKING TANDEM
12	68033	PIN(1x6.38)
13	42484	1/4x2-1/4 SPIROL PIN
14	88196	1" FLAT WASHER

1' & 2' STUB ATTACHEMENTS



233292_A.PLT

233265 BOP 2' STUB GRP W/MTG HDW (2x5)

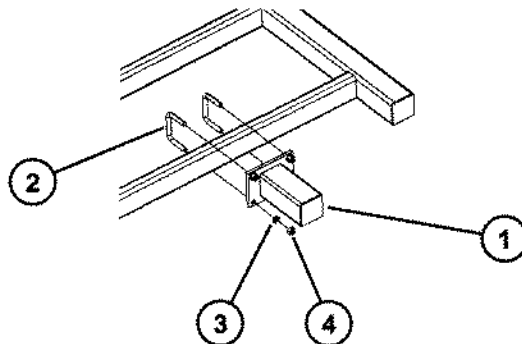
ITEM	PART NO.	DESCRIPTION
1	233263	2FT CHISEL PLOW STUB (2x5)
2	233226	STUB PLATE
5	88272	3/4NCx4 GR5 BOLT
6	88130	WSHR HLK 3/4ID(13/16ACT)
7	88110	NUT HEX 3/4NC v

233268 BOP 1' STUB GRP W/MTG HDW (2x5)

ITEM	PART NO.	DESCRIPTION
3	222193	CP SHANK STUB
4	233232	STUB PLATE PAINTED
5	88272	3/4NCx4 GR5 BOLT
6	88130	WSHR HLK 3/4ID(13/16ACT)
7	88110	NUT HEX 3/4NC

1' STUB ATTACHMENT (2x4)

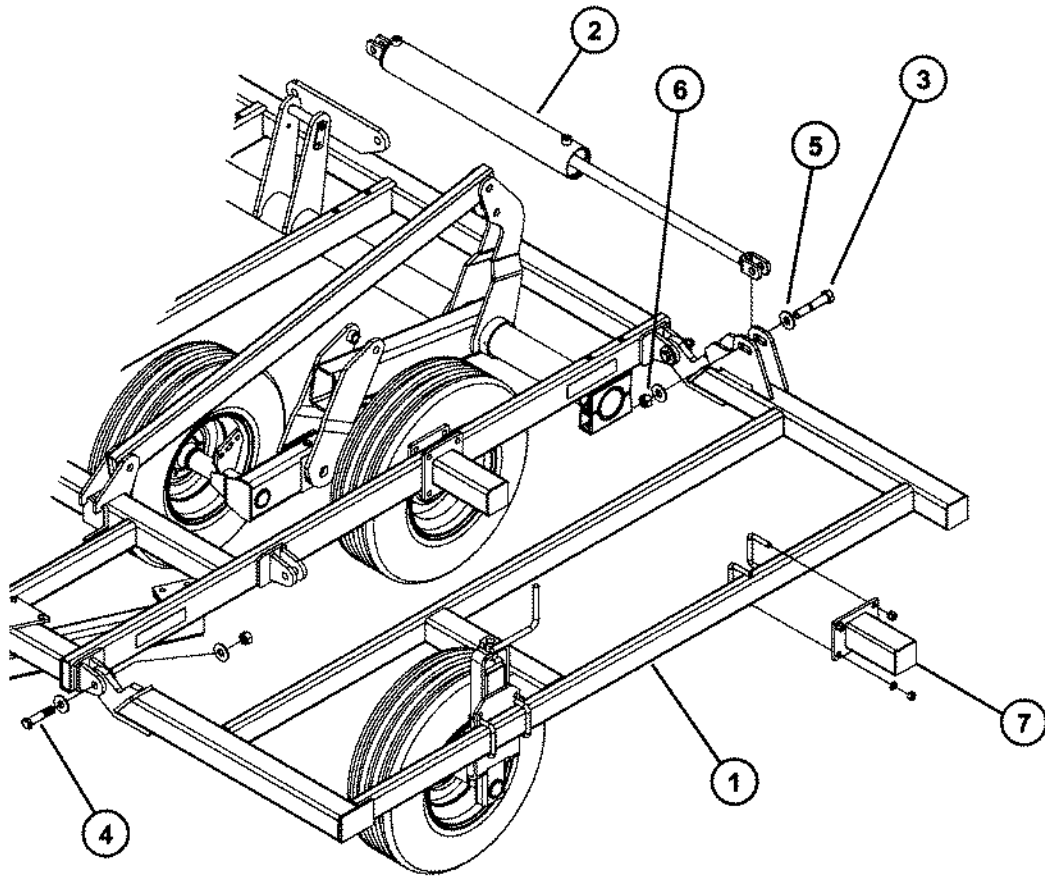
65123 BOP 1' STUB GRP L/MTG HDWE (2x4)



233279_C.PLT

ITEM	PART NO.	DESCRIPTION
1	13963	MAIN FRAME 1FT STUB
2	88388	5/8NCx4x3-1/4 U-BOLT
3	88129	WSHR HLK 5/8ID(11/16ACT)
4	88126	NUT HEX 5/8NC

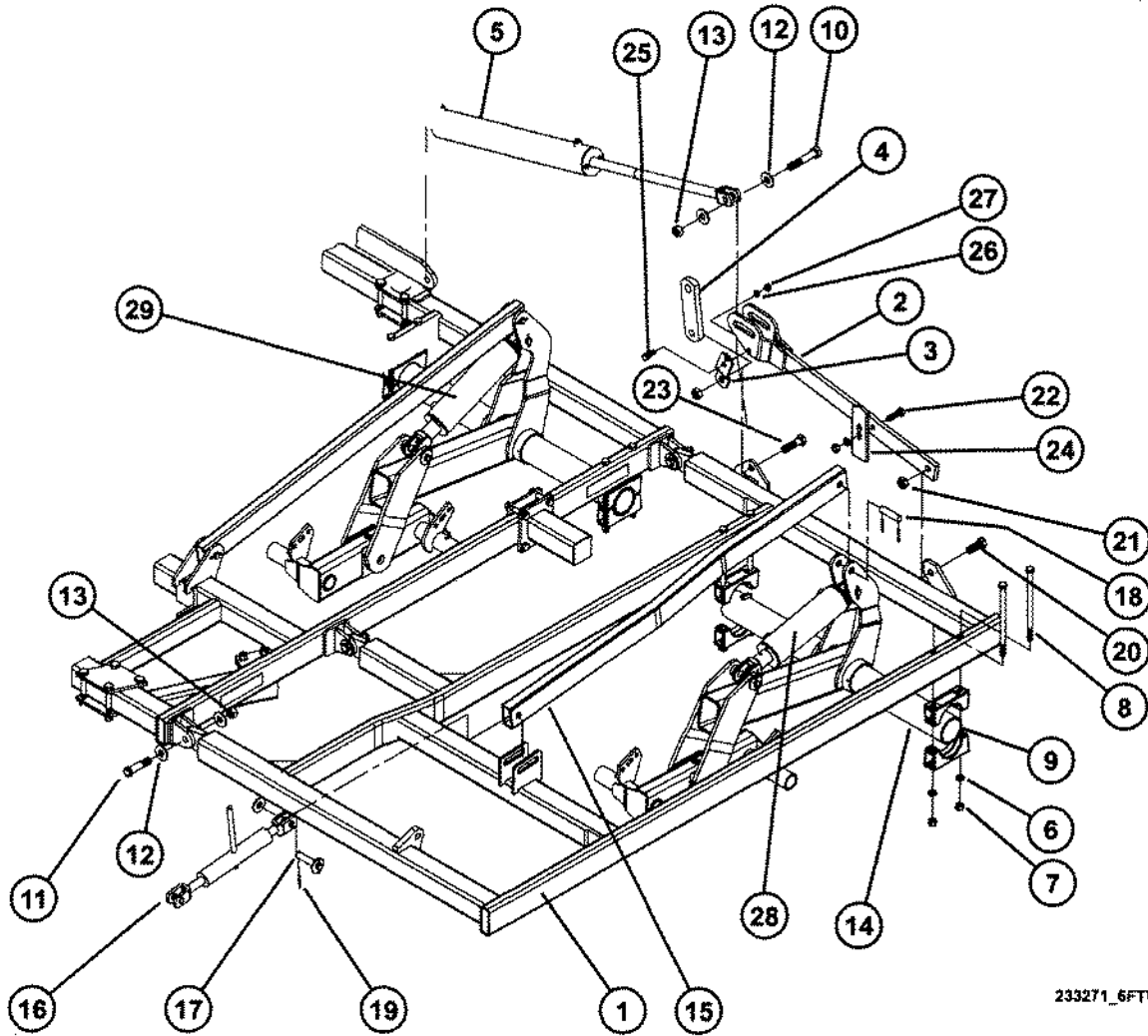
4' WING



ITEM	PART NO.	DESCRIPTION
1	233873	4FT 5810/30 CP WING - LEFT (SHOWN)
	233879	4FT 5810/30 CP WING - RIGHT
2	51229F	HYD CYL 4x30 FGS #A519CY02
3	88670	1NCx5-1/2 GR5 BOLT
4	88580	1NCx4-1/2 GR5 BOLT
5	88196	WSHR FLAT 1(1-1/16x2-1/2 ACT)
6	89075	NUT NYLON LOCK 1NC
7	65123	BOP 1' STUB GRP W/ MOUNTING HRD (2X4)

NOTE: DETAILS ON ITEM 7 (65123) SHOWN ON PAGE 12.

6' WING

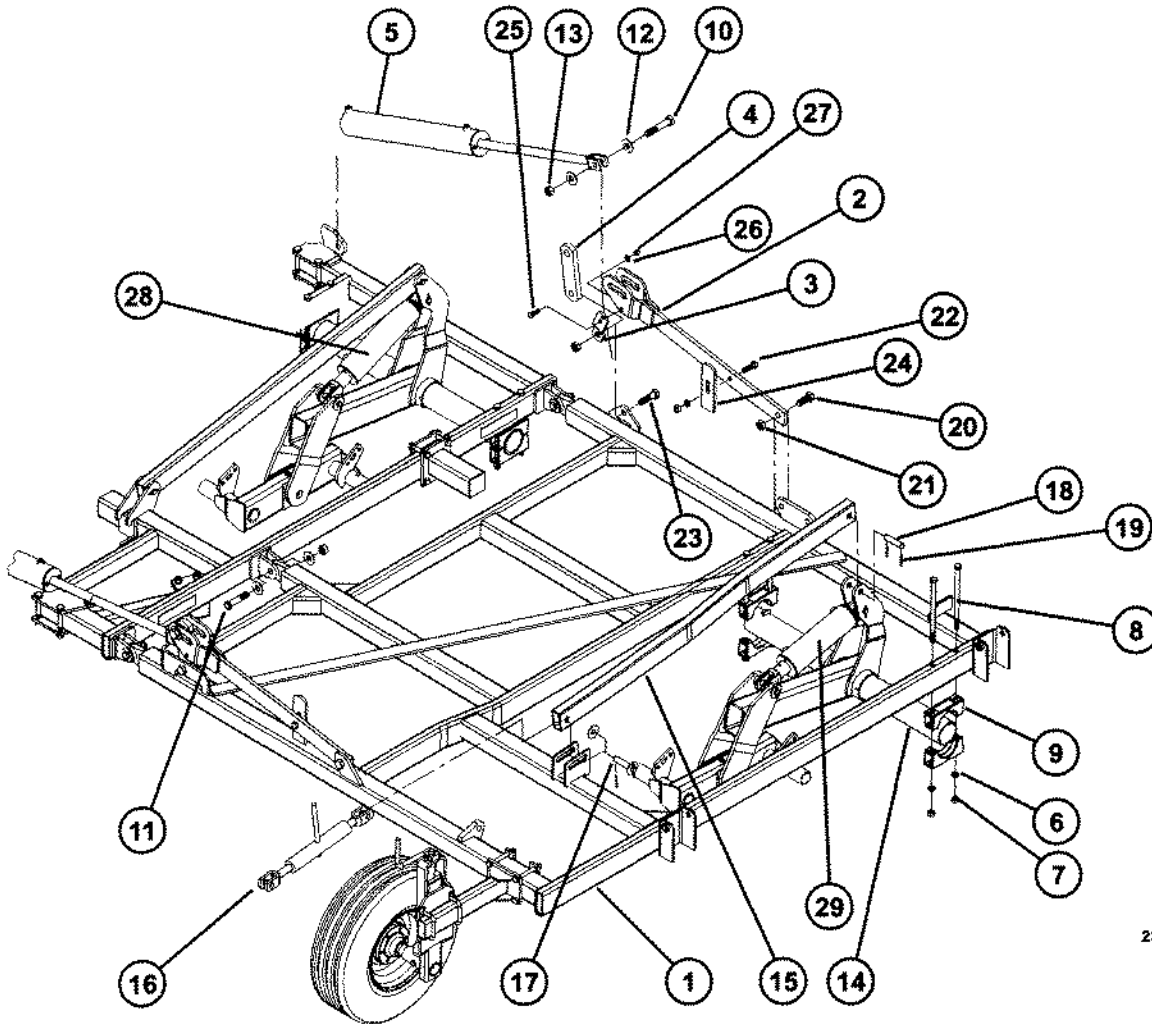


233271_6FTW.PLT

ITEM	PART NO.	DESCRIPTION
1	233853	6FT 5800 CP WING - LEFT (SHOWN)
	233852	6FT 5800 CP WING - RIGHT
2	233347	LIFT LINK ARM - SHORT
3	220871	WING LINK STRAP
4	48522	WING LIFT LINK
5	51229F	HYD CYL 4x30 FGS #A519CY02
6	88130	WSHR HLK 3/4ID(13/16ACT)
7	88110	NUT HEX 3/4NC
8	89165	3/4NCx13 GR5 BOLT
9	34132	AXLE CLAMP ASSEMBLY
10	88670	1NCx5-1/2 GR5 BOLT
11	88580	1NCx4-1/2 GR5 BOLT
12	88196	WSHR FLAT 1(1-1/16x2-1/2 ACT)
13	89075	NUT NYLON LOCK 1NC
14	222902	CP WING AXLE ASSY - LEFT
	222901	CP WING AXLE ASSY - RIGHT

ITEM	PART NO.	DESCRIPTION
15	233351	WING MAST TUBE
16	33104	GAUGE WHEEL JACK
17	222338	HEADLESS PIN(2) 1x4-1/8
18	221714	HEADLESS PIN(2) 1x3-7/32
19	42484	1/4 x 2-1/4 ROLL PIN
20	88393	1NCx2-1/2 GR5 BOLT
21	88348	NUT 2POSLK 1NC
22	88404	3/4NCx2-1/2 GR5 BOLT
23	88447	1NCx3-1/2 GR5 BOLT
24	233363	WING REST FLAT
25	88838	5/8NCx1-3/4 GR5 BOLT
26	88129	WSHR HLK 5/8ID(11/16ACT)
27	88126	NUT HEX 5/8NC
28	67688F	4x10.8 HYD CYL (SEE PAGE 28)
29	67683F	4x12.6 HYD CYL (SEE PAGE 28)

9' WING

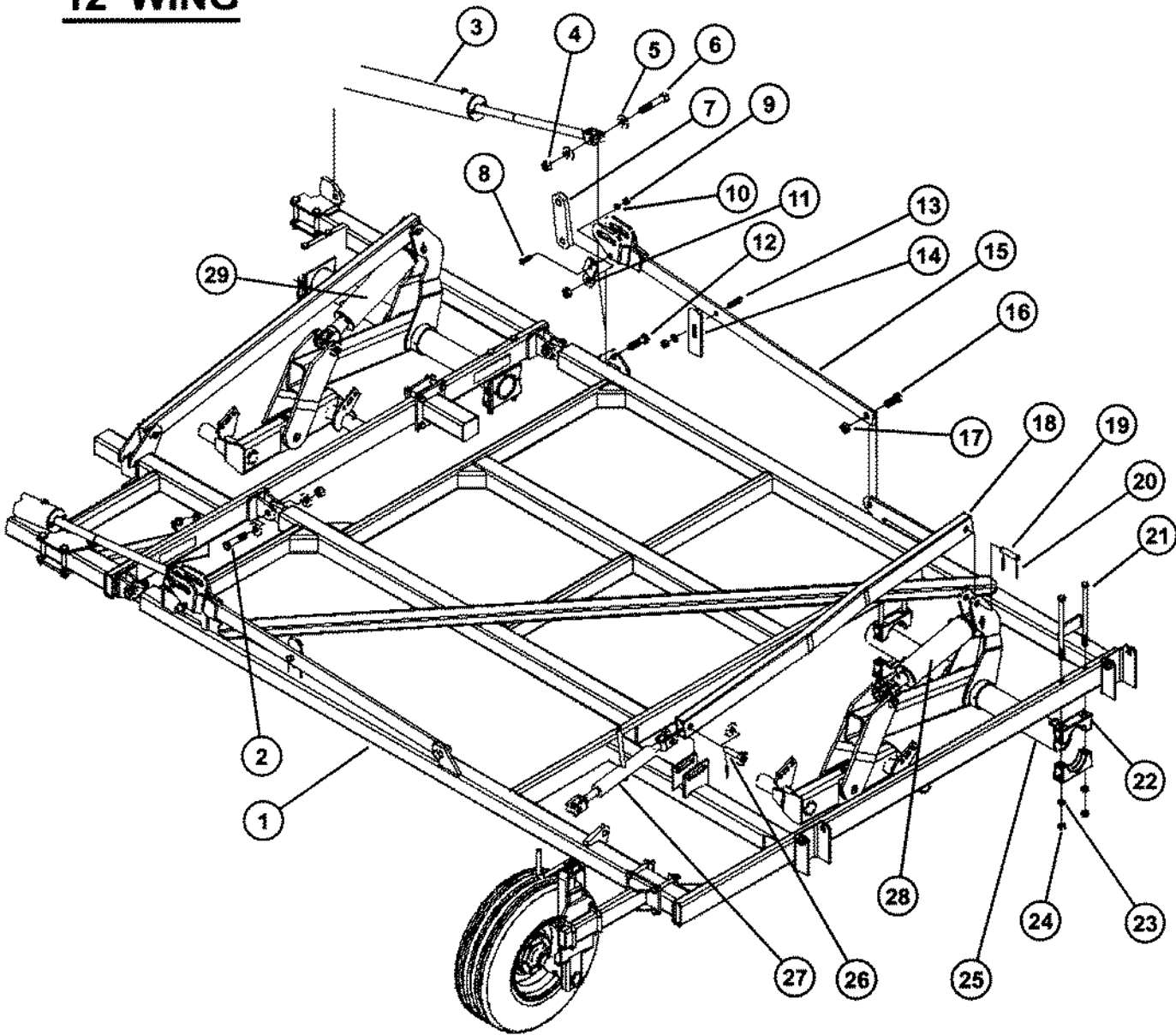


233279_A.PLT

ITEM	PART NO.	DESCRIPTION
1	233345	9FT 5800 CP WING - LEFT (SHOWN)
	233341	9FT 5800 CP WING - RIGHT
2	233347	LIFT LINK ARM - SHORT
3	220871	WING LINK STRAP
4	48522	WING LIFT LINK
5	51229F	HYD CYL 4x30 FGS #A519CY02
6	88130	WSHR HLK 3/4ID(13/16ACT)
7	88110	NUT HEX 3/4NC
8	89165	3/4NCx13 GR5 BOLT
9	34132	AXLE CLAMP ASSEMBLY
10	88670	1NCx5-1/2 GR5 BOLT
11	88580	1NCx4-1/2 GR5 BOLT
12	88196	WSHR FLAT 1(1-1/16x2-1/2 ACT)
13	89075	NUT NYLON LOCK 1NC
14	222902	CP WING AXLE ASSY - LEFT
	222901	CP WING AXLE ASSY - RIGHT

ITEM	PART NO.	DESCRIPTION
15	233351	WING MAST TUBE
16	33104	GAUGE WHEEL JACK
17	222338	HEADLESS PIN(2) 1x4-1/8
18	221714	HEADLESS PIN(2) 1x3-7/32
19	42484	1/4 x 2-1/4 ROLL PIN
20	88393	1NCx2-1/2 GR5 BOLT
21	88348	NUT 2POSLK 1NC
22	88404	3/4NCx2-1/2 GR5 BOLT
23	88447	1NCx3-1/2 GR5 BOLT
24	233363	WING REST FLAT
25	88838	5/8NCx1-3/4 GR5 BOLT
26	88129	WSHR HLK 5/8ID(11/16ACT)
27	88126	NUT HEX 5/8NC
28	67683F	4x12.6 HYD CYL (SEE PAGE 28)
29	67688F	4x10.8 HYD CYL (SEE PAGE 28)

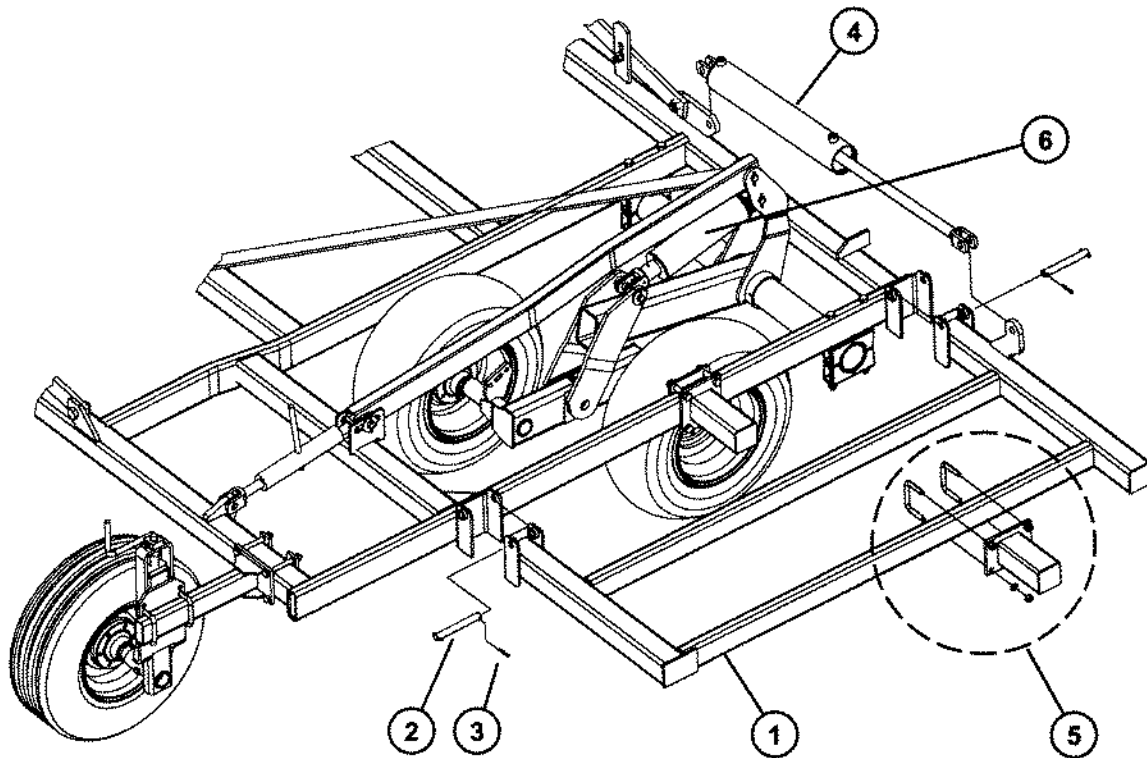
12' WING



ITEM	PART NO.	DESCRIPTION
1	221959	12FT CP WING - LEFT (SHOWN)
	221958	12FT CP WING - RIGHT
2	88580	1NCx4-1/2 GR5 BOLT
3	51229F	HYD CYL 4x30 FGS #A519CY02
4	89075	NUT NYLON LOCK 1NC
5	88196	WSHR FLAT 1(1-1/16x2-1/2 ACT)
6	88670	1NCx5-1/2 GR5 BOLT
7	48522	WING LIFT LINK
8	88838	5/8NCx1-3/4 GR5 BOLT
9	88126	NUT HEX 5/8NC
10	88129	WSHR HLK 5/8ID(11/16ACT)
11	220871	WING LINK STRAP
12	88447	1NCx3-1/2 GR5 BOLT
13	88404	3/4NCx2-1/2 GR5 BOLT
14	233363	WING REST FLAT

ITEM	PART NO.	DESCRIPTION
15	221853	LIFT LINK ARM - LONG
16	88393	1NCx2-1/2 GR5 BOLT
17	88348	NUT 2POSLK 1NC
18	233351	WING MAST TUBE
19	221714	HEADLESS PIN(2) 1x3-7/32
20	42484	1/4 x 2-1/4 ROLL PIN
21	89165	3/4NCx13 GR5 BOLT
22	34132	AXLE CLAMP ASSEMBLY
23	88130	WSHR HLK 3/4ID(13/16ACT)
24	88110	NUT HEX 3/4NC
25	222902	CP WING AXLE ASSY - LEFT
	222901	CP WING AXLE ASSY - RIGHT
26	222338	HEADLESS PIN(2) 1x4-1/8
27	33104	GAUGE WHEEL JACK
28	67388F	4x10.8 HYD CYL (SEE PAGE 28)
29	67383F	4x12.6 HYD CYL (SEE PAGE 28)

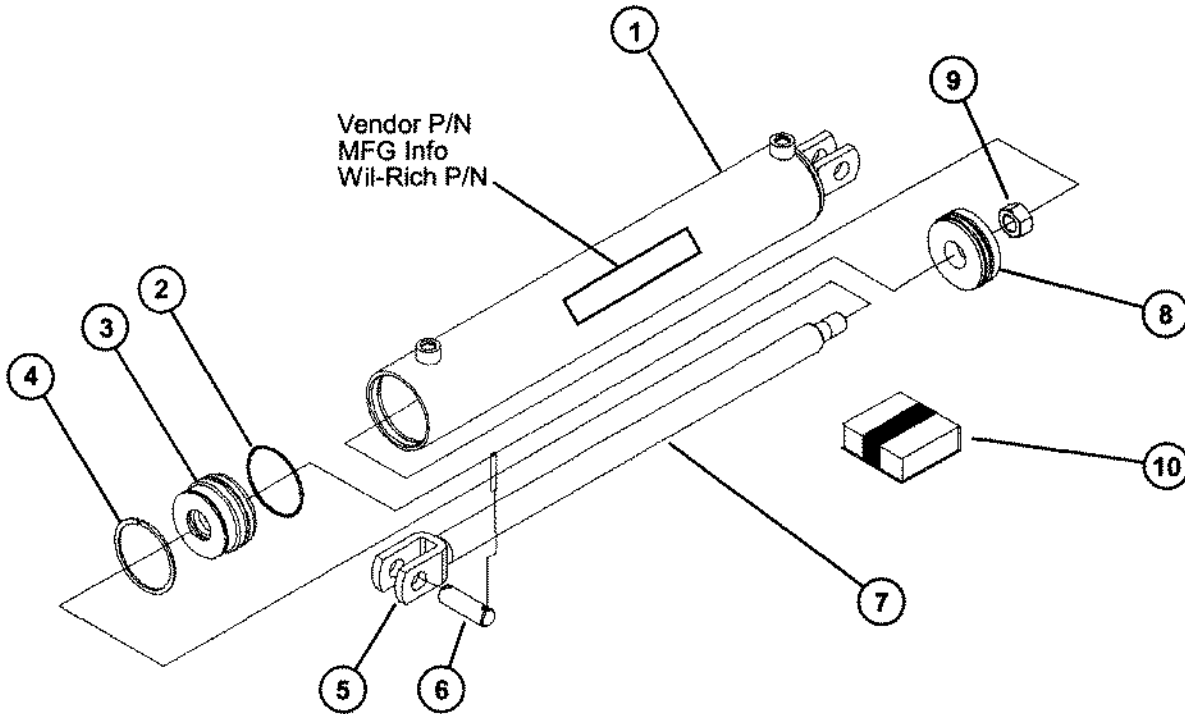
3' OUTER WING



ITEM	PART NO.	DESCRIPTION
1	233676	3FT CP WING - LEFT (SHOWN)
	221851	3FT CP WING - RIGHT
2	14408	HEADLESS PIN(2) 1x6-13/16
3	88432	PIN ROLL 5/16DIAx2
4	51241F	HYD CYL 3x24 FGS #A519CY10
5	65123	BOP 1' STUB GRP W/MTG HDW (2x4)
6	67388F	4x10.8 HYD CYL (SEE PAGE 28)

NOTE: DETAILS TO ITEM 5 (65123) SHOWN ON PAGE 12.

WING FOLD CYLINDERS



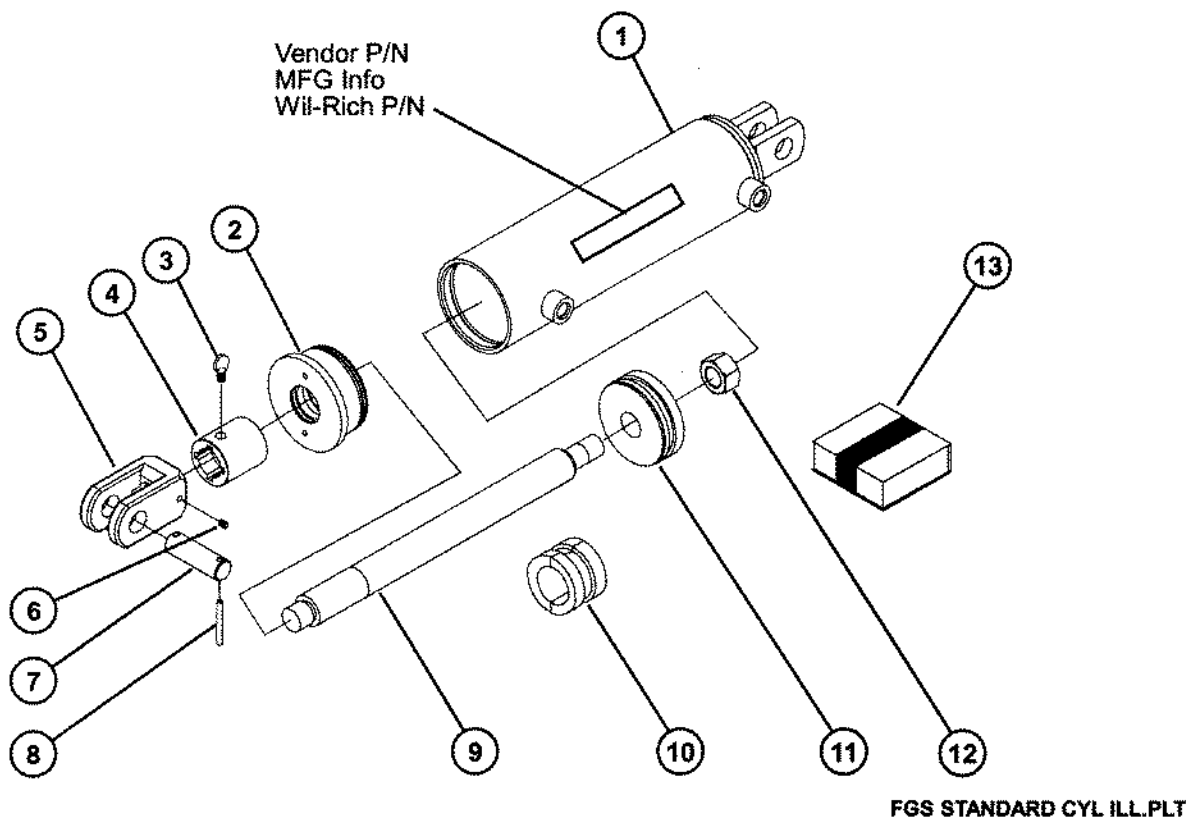
FGS STANDARD CYL ILL.PLT

COLUMN	WIL-RICH PART NO.	SIZE	ROD DIA.	PIN DIA.
A	51242F	3 x 30	1-1/2"	1"
B	51235F	3.5 x 24	1-1/2"	1"
C	51226F	4 x 24	1-1/2"	1"
D	51229F	4 x 30	1-1/2"	1"
E	12062F	5 x 24	2"	1"
F	20966F	5 x 30	2"	1"
G	51241F	3 x 24	1-1/2"	1"

ITEM	DESCRIPTION	REQ.	A	B	C	D	E	F
1	Barrel	1	233709	233812	233818	233716	233817	233723
2	Retainer Ring	1	233711	233814	233718	233718	233724	233724
3	Ext. Snap Ring	1	233712	233816	233720	233720	233727	233727
4	Snap Ring Head	1	233713	233815	233719	233719	233726	233726
5	Rod	1	233710	233813	233813	233717	233819	233725
6	Clevis Pin	2	42472	42472	42472	42472	42472	42472
7	Roll Pin 1/4x2-1/4	2	42484	42484	42484	42484	42484	42484
8	Piston	1	233714	233811	233715	233715	233722	233722
9	Lock Nut	1	233700	233700	233700	233700	233721	233721
10	Stop Collars	1	233729	233810	233730	233730	233731	233731
11	Seal kit	1	15113	15113	15113	15113	15116	15116

**THOUGH IDENTIFIED, ALL PARTS MAY NOT BE SERVICEABLE.
CHECK WITH WIL-RICH LLC SERVICE PARTS FOR AVAILABILITY.**

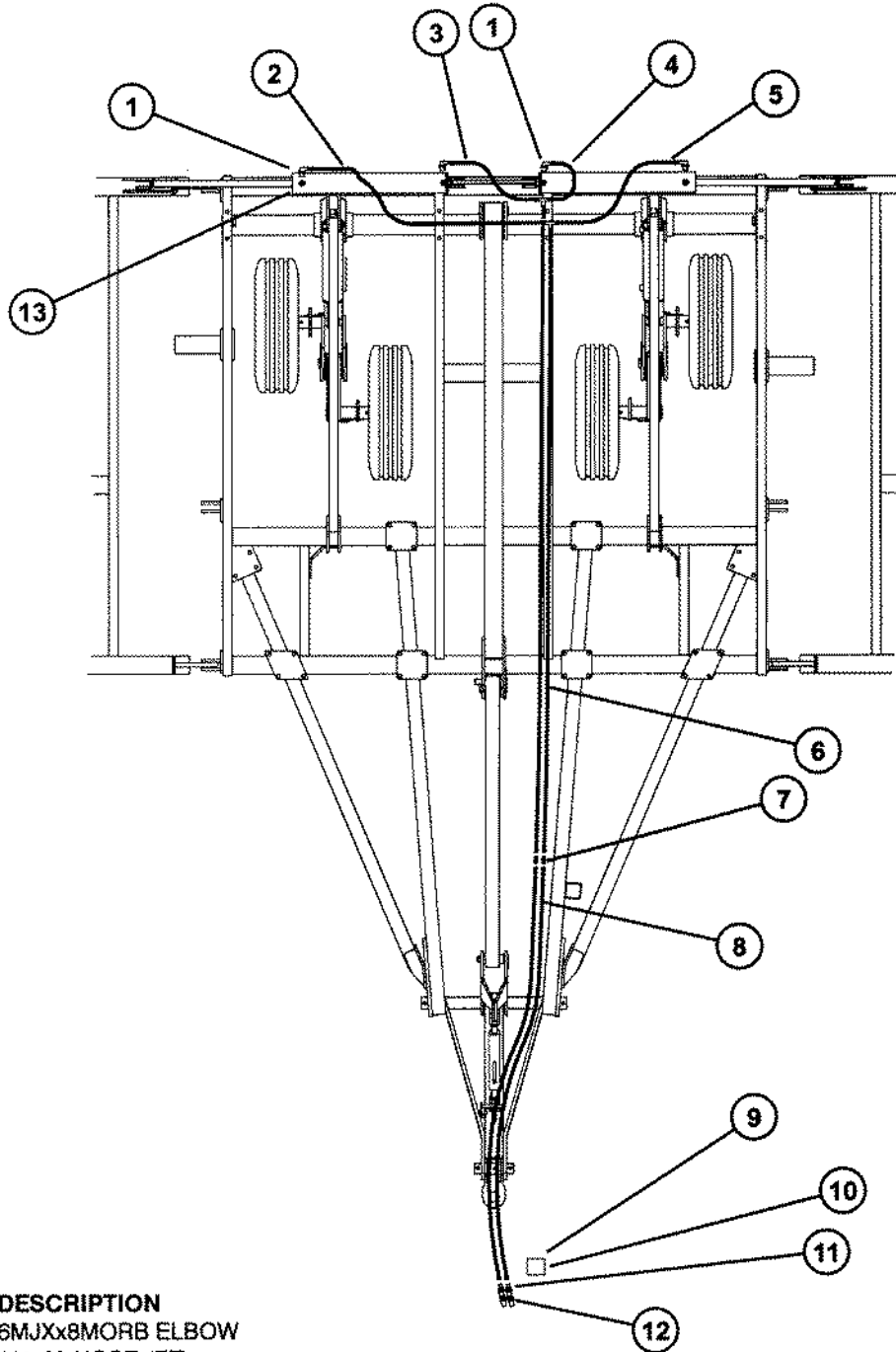
MAIN LIFT TOP BYPASS CYLINDER



COLUMN	WIL-RICH PART NO.	SIZE	ROD DIA.	PIN DIA.
A	67687F	4 x 9.3	1-1/2"	1"
B	67688F	4 x 10.8	1-1/2"	1"
C	67683F	4x12.6	1-1/2"	1"

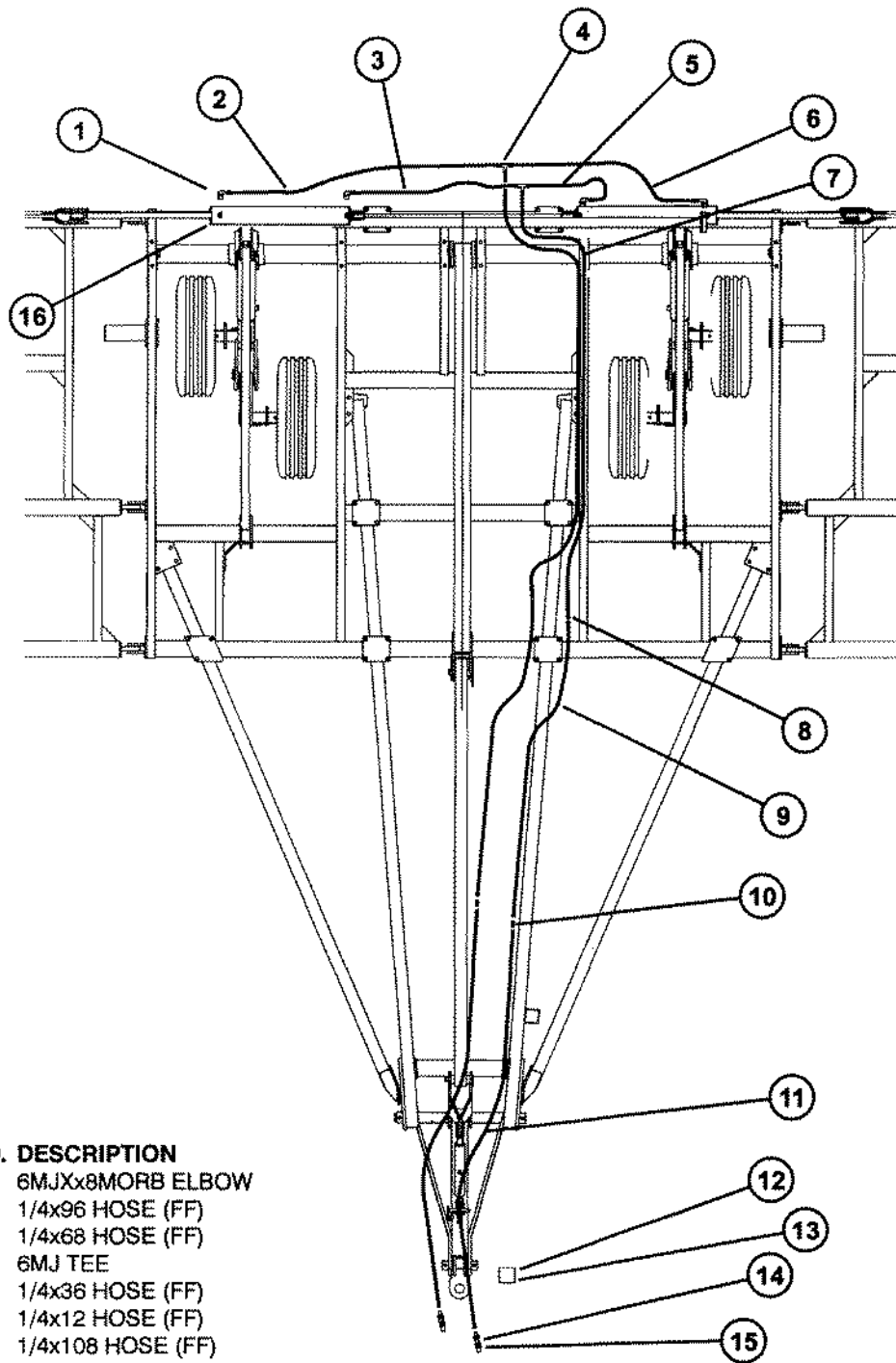
ITEM	DESCRIPTION	REQ.	A	B	C
1	Barrel	1	233702	233705	233707
2	Internal Head	1	233704	233704	233704
3	Thumb Screw	1	88387	88387	88387
4	Screw Collar	1	55665	55665	55665
5	Rod End Clevis	1	67657	67657	67657
6	Set Screw	1	88706	88706	88706
7	HDLS Pin 1x2-3/8	2	42473	42473	42473
8	Roll Pin 1/4x3.12	4	42484	42484	42484
9	Cylinder Rod	1	233703	233706	233708
10	Stop Collars	1	15113	15113	15113
11	Piston	1	233701	233701	233701
12	Rod Nut	1	233700	233700	233700
13	Seal Kit	1	233728	233728	233728

5810 WING FOLD HYDRAULICS



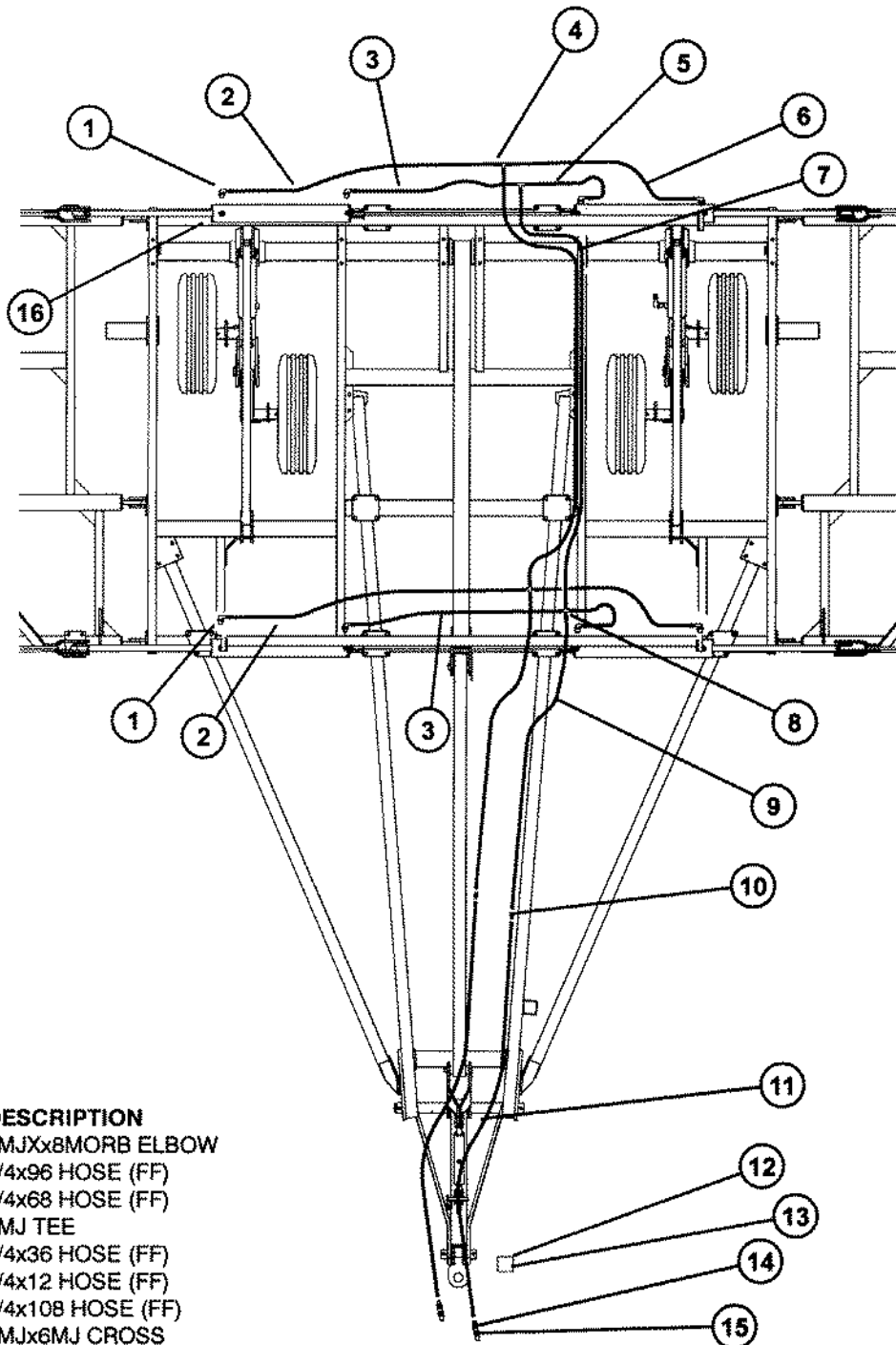
ITEM	PART NO.	DESCRIPTION
1	24104	6MJx8MORB ELBOW
2	221717	1/4x68 HOSE (FF)
3	58692	1/4x36 HOSE (FF)
4	65169	1/4x12 HOSE (FF)
5	58692	1/4x36 HOSE (FF)
6	65168	1/4x144 HOSE (FF)
7	63724	6MJx6MJ HOSE UNION
8	63723	1/4x108 HOSE (FF)
9	54900	WINGS UP DECAL
10	54901	WINGS DOWN DECAL
11	58690	6MJx8MPT COUPLER ADAPTER
12	60640	QUICK DISCONNECT COUPLER
13	51229F	4x30 HYDRAULIC CYLINDER

5830 WING FOLD HYDRAULICS



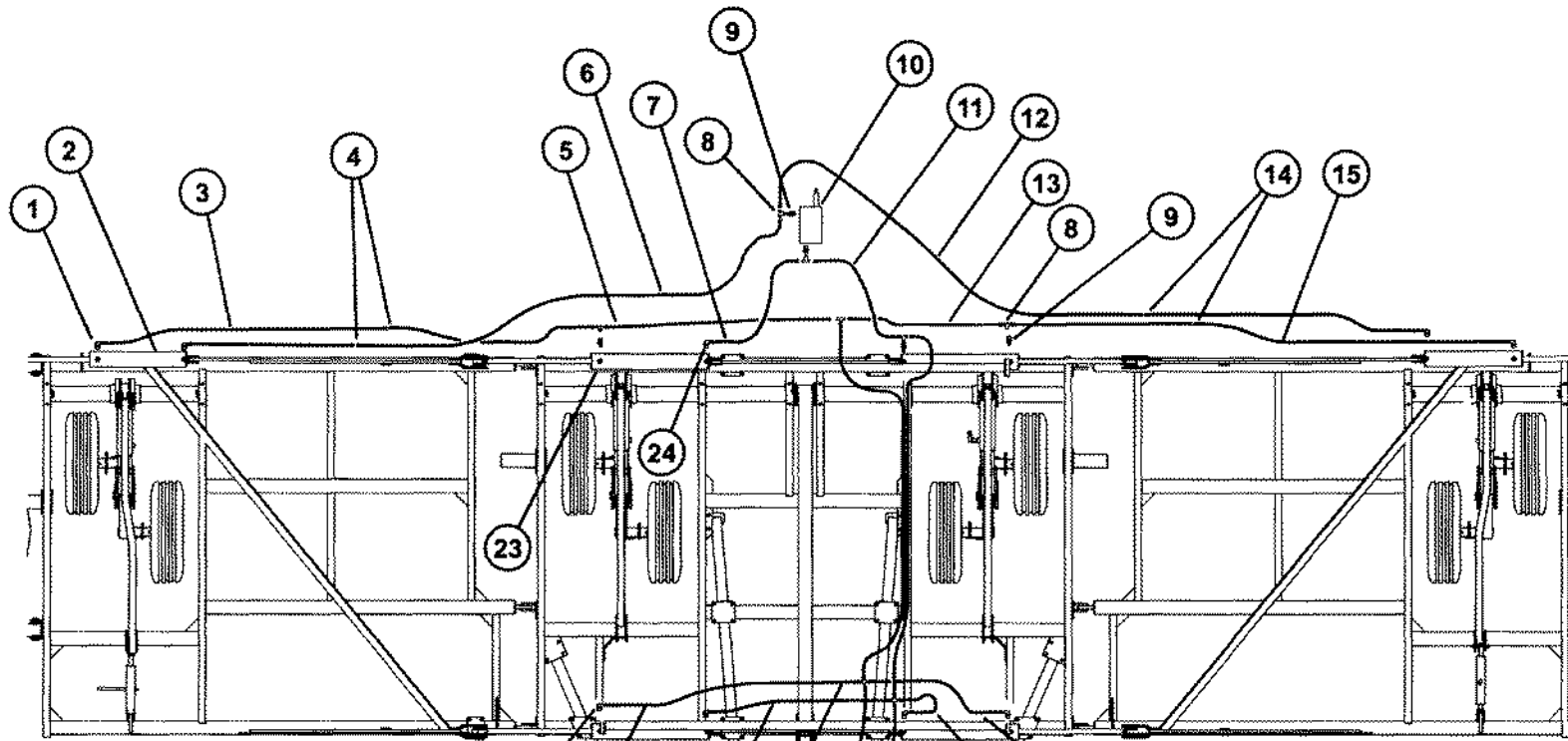
ITEM	PART NO.	DESCRIPTION
1	24104	6MJx8MORB ELBOW
2	63791	1/4x96 HOSE (FF)
3	221717	1/4x68 HOSE (FF)
4	64346	6MJ TEE
5	58692	1/4x36 HOSE (FF)
6	65169	1/4x12 HOSE (FF)
7	63723	1/4x108 HOSE (FF)
8	63724	6MJx6MJ HOSE UNION
9	63723	1/4x108 HOSE (FF)
10	63724	6MJx6MJ HOSE UNION
11	83791	1/4x96 HOSE (FF)
12	54900	WINGS UP DECAL
13	54901	WINGS DOWN DECAL
14	58690	6MJx8MPT COUPLER ADAPTER
15	60640	QUICK DISCONNECT COUPLER
16	51229F	4x30 HYDRAULIC CYLINDER

5830 WING FOLD HYDRAULICS



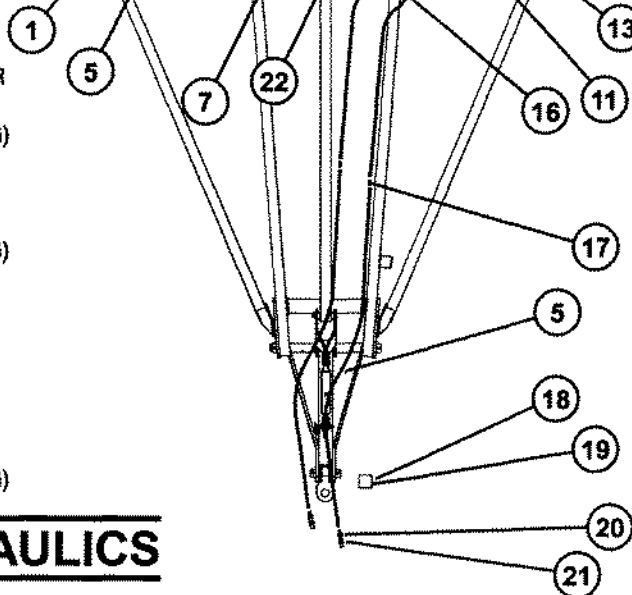
ITEM	PART NO.	DESCRIPTION
1	24104	6MJx8MORB ELBOW
2	63791	1/4x96 HOSE (FF)
3	221717	1/4x68 HOSE (FF)
4	64346	6MJ TEE
5	58692	1/4x36 HOSE (FF)
6	65169	1/4x12 HOSE (FF)
7	63723	1/4x108 HOSE (FF)
8	67130	6MJx6MJ CROSS
9	63723	1/4x108 HOSE (FF)
10	63724	6MJx6MJ HOSE UNION
11	63791	1/4x96 HOSE (FF)
12	54900	WINGS UP DECAL
13	54901	WINGS DOWN DECAL
14	58690	6MJx8MPT COUPLER ADAPTER
15	60640	QUICK DISCONNECT COUPLER
16	51229F	4x30 HYDRAULIC CYLINDER

5830_CPW31-35_CPW37-41_HYD_FOLD.PLT



ITEM PART NO. DESCRIPTION

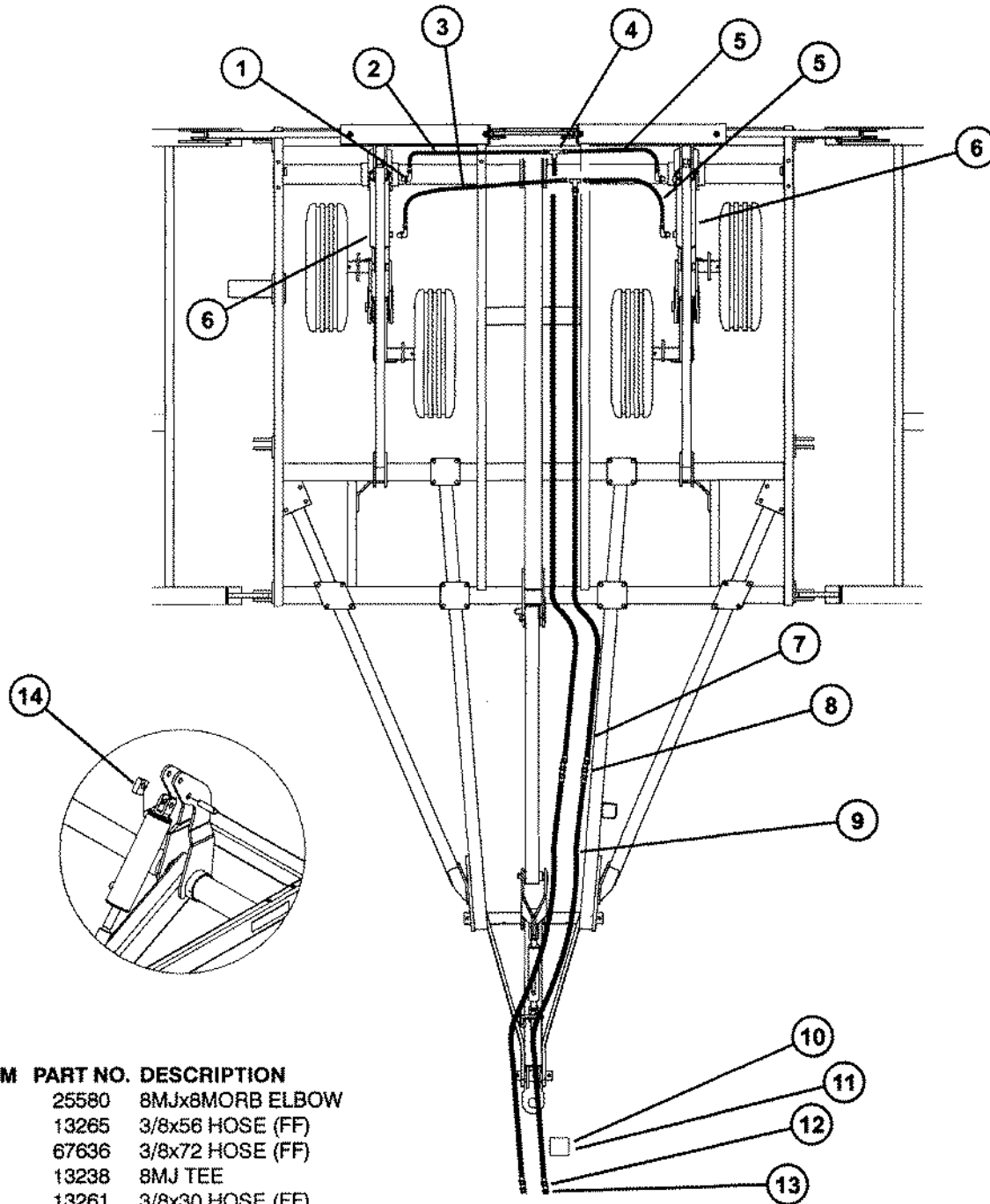
1	62437	6MJx6MORB ELBOW
2	51241F	3x24 HYDRAULIC CYLINDER
3	58536	1/4x60 HOSE (FF)(9' WING)
	233686	1/4x156 HOSE(FF)(12' WING)
4	63724	6MJx6MJ HOSE UNION
5	63791	1/4x96 HOSE (FF)
6	58538	1/4x84 HOSE (FF)(9' WING)
	64330	1/4x216 HOSE(FF)(12' WING)
7	221717	1/4x68 HOSE (FF)
8	67136	6MJ TEE
9	58543	6MJx8MORB ADAPTER
10	65870	SEQUENCE VALVE
11	65169	1/4x12 HOSE (FF)
12	58537	1/4x72 HOSE (FF)(9' WING)
	58536	1/4x60 HOSE (FF)(9' WING)
	233687	1/4x168 HOSE(FF)(12' WING)



ITEM PART NO. DESCRIPTION

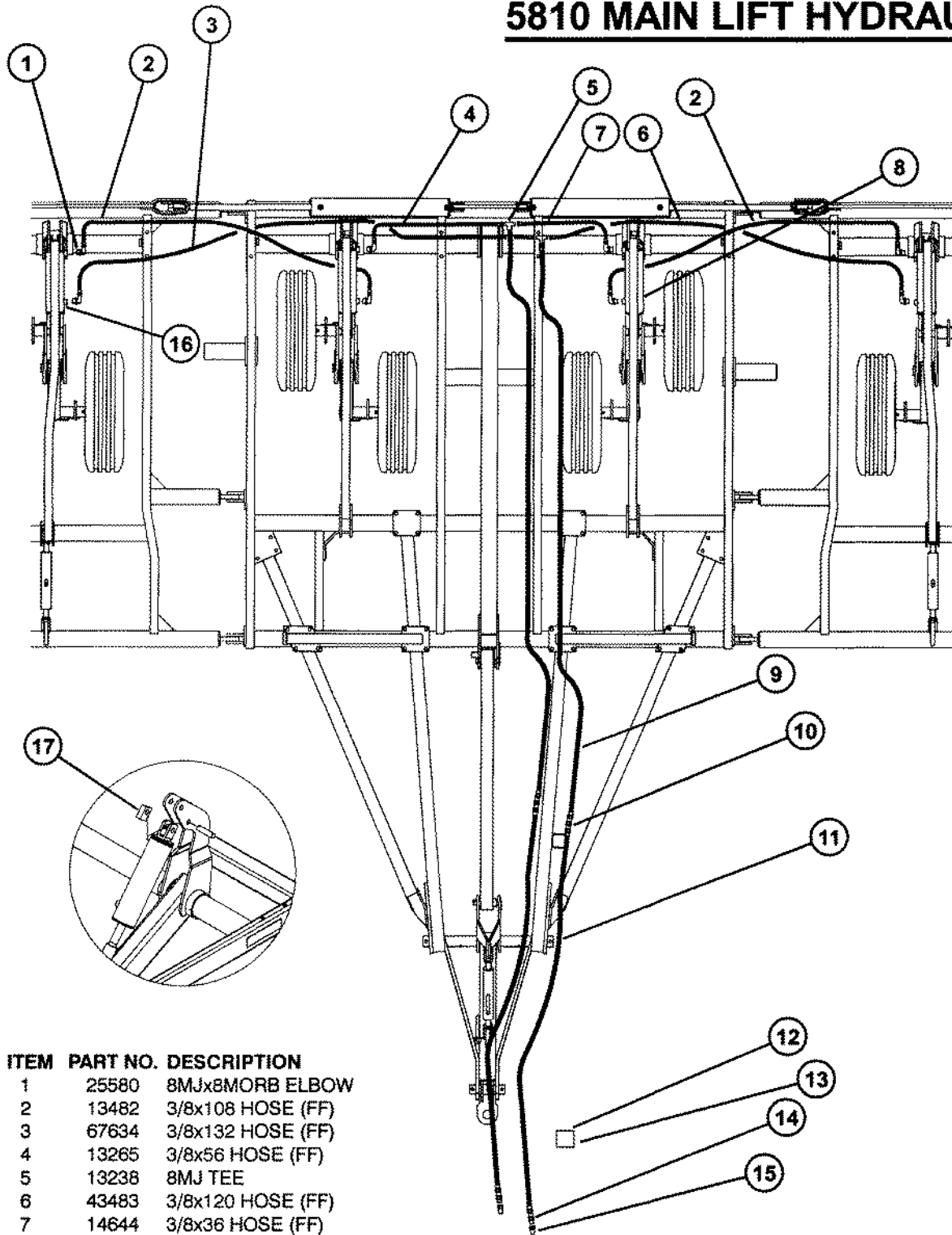
13	58692	1/4x36 HOSE (FF)
14	63724	6MJx6MJ HOSE UNION
15	58536	1/4x60 HOSE (FF)(9' WING)
	233686	1/4x156 HOSE(FF)(12' WING)
16	63723	1/4x108 HOSE (FF)
17	63724	6MJx6MJ HOSE UNION
18	54900	WINGS UP DECAL
19	54901	WINGS DOWN DECAL
20	58690	6MJx8MPT COUPLER ADAPTER
21	60640	QUICK DISCONNECT COUPLER
22	67130	6MJx6MJ CROSS
23	51229F	4x30 HYDRAULIC CYLINDER
24	24104	6MJx8MORB ELBOW

5810 MAIN LIFT HYDRAULICS



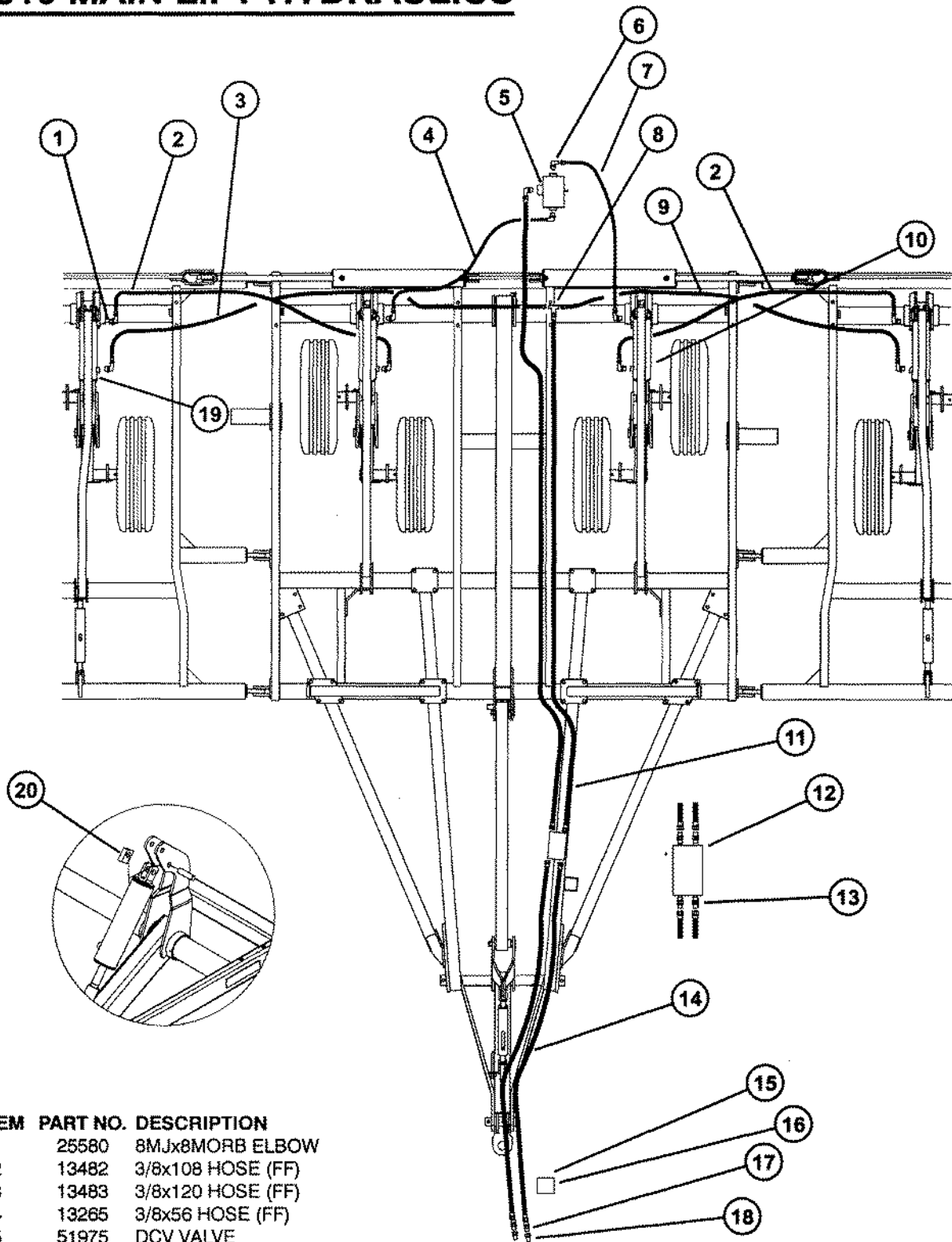
ITEM	PART NO.	DESCRIPTION
1	25580	8MJx8MORB ELBOW
2	13265	3/8x56 HOSE (FF)
3	67636	3/8x72 HOSE (FF)
4	13238	8MJ TEE
5	13261	3/8x30 HOSE (FF)
6	67683F	4x12.6 HYDRAULIC CYLINDER
7	208612	1/2x204 HOSE (FF)
8	13239	8MJx8MJ HOSE UNION
9	233250	1/2x80 HOSE (FF)
10	54902	MAIN UP DECAL
11	54903	MAIN DOWN DECAL
12	13234	8MJx8MPT COUPLER ADAPTER
13	60640	QUICK DISCONNECT COUPLER
14	234895	CLEVIS PLATE

5810 MAIN LIFT HYDRAULICS



ITEM	PART NO.	DESCRIPTION
1	25580	8MJx8MORB ELBOW
2	13482	3/8x108 HOSE (FF)
3	67634	3/8x132 HOSE (FF)
4	13265	3/8x56 HOSE (FF)
5	13238	8MJ TEE
6	43483	3/8x120 HOSE (FF)
7	14644	3/8x36 HOSE (FF)
8	67683F	4x12.6 HYDRAULIC CYLINDER
9	208612	1/2x204 HOSE (FF)
10	13239	8MJx8MJ HOSE UNION
11	233250	1/2x80 HOSE (FF)
12	54902	MAIN UP DECAL
13	54903	MAIN DOWN DECAL
14	13234	8MJx8MPT COUPLER ADAPTER
15	60640	QUICK DISCONNECT COUPLER
16	67688F	4x10.8 HYDRAULIC CYLINDER
17	234895	CLEVIS PLATE

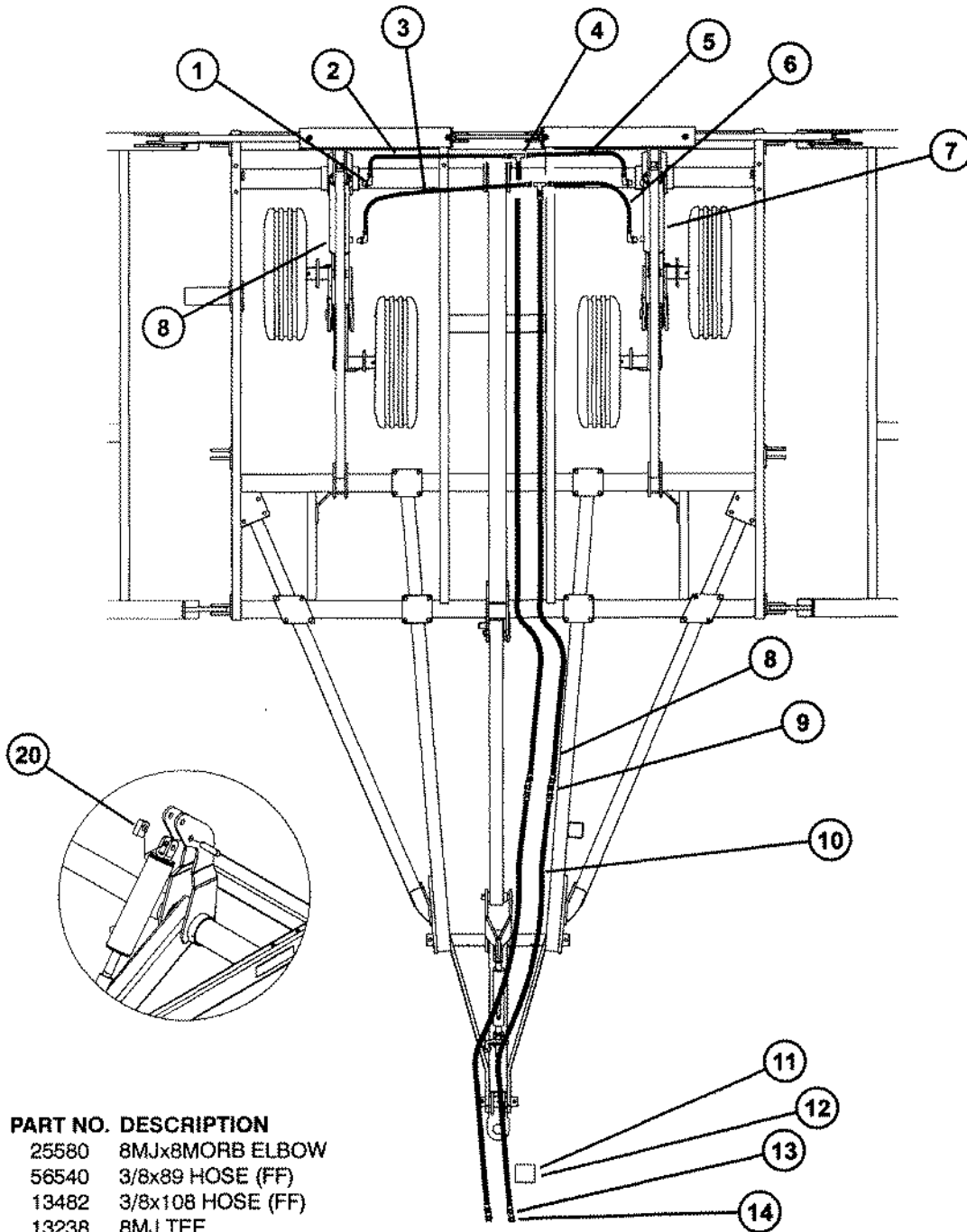
5810 MAIN LIFT HYDRAULICS



ITEM	PART NO.	DESCRIPTION
1	25580	8MJx8MORB ELBOW
2	13482	3/8x108 HOSE (FF)
3	13483	3/8x120 HOSE (FF)
4	13265	3/8x56 HOSE (FF)
5	51975	DCV VALVE
6	13236	8MJx8MPT ELBOW
7	13261	3/8x30 HOSE (FF)
8	13238	8MJ TEE
9	67636	3/8x72 HOSE (FF)
10	67683F	4x12.6 HYDRAULIC CYLINDER
11	208612	1/2x204 HOSE (FF)
12	66889	REBOUND VALVE
13	24024	8MORDx8MJ ADAPTER

ITEM	PART NO.	DESCRIPTION
14	233250	1/2x80 HOSE (FF)
15	54902	MAIN UP DECAL
16	54903	MAIN DOWN DECAL
17	13234	8MJx8MPT COUPLER ADAPTER
18	60640	QUICK DISCONNECT COUPLER
19	67688F	4x10.8 HYDRAULIC CYLINDER
20	234895	CLEVIS PLATE

5830 MAIN LIFT HYDRAULICS

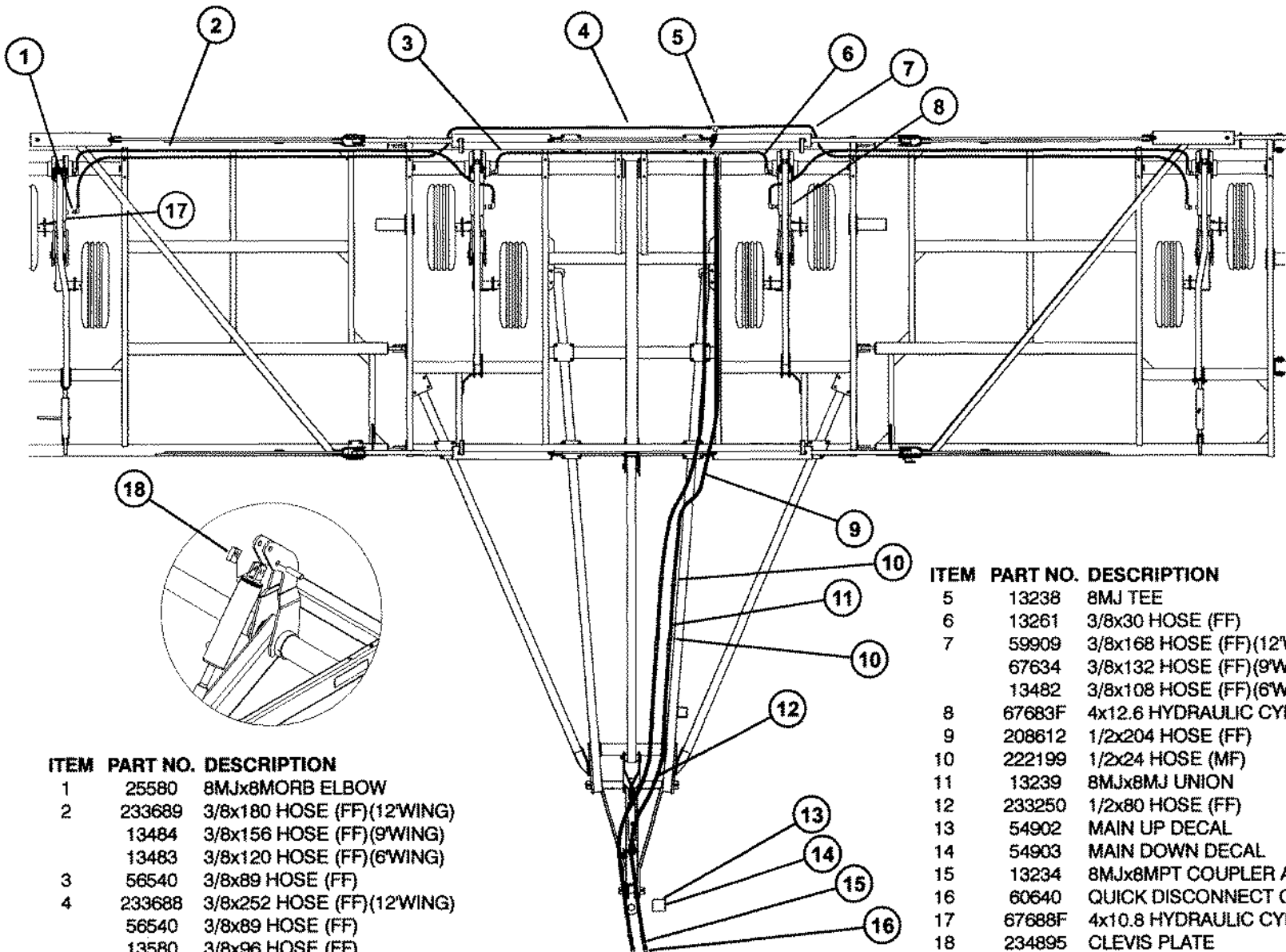


ITEM	PART NO.	DESCRIPTION
1	25580	8MJx8MORB ELBOW
2	56540	3/8x89 HOSE (FF)
3	13482	3/8x108 HOSE (FF)
4	13238	8MJ TEE
5	13261	3/8x30 HOSE (FF)
6	14851	3/8x42 HOSE (FF)
7	67683F	4x12.6 HYDRAULIC CYLINDER
8	208612	1/2x204 HOSE (FF)
9	13239	8MJx8MJ HOSE UNION
10	233250	1/2x80 HOSE (FF)
11	54902	MAIN UP DECAL
12	54903	MAIN DOWN DECAL
13	13234	8MJx8MPT COUPLER ADAPTER
14	60640	QUICK DISCONNECT COUPLER

5830 MAIN LIFT HYDRAULICS

5800 CHISEL PLOW PARTS MANUAL (74243) 6/04

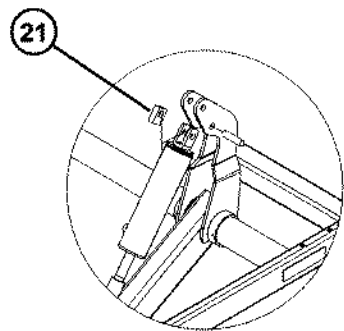
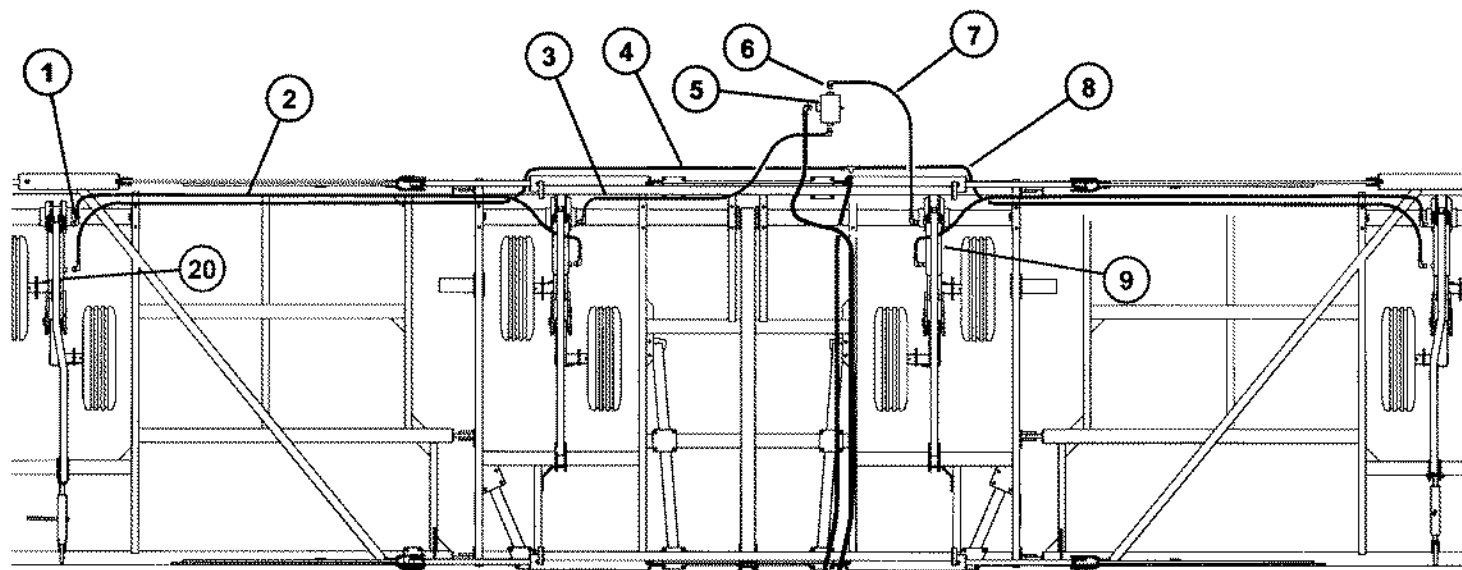
5830 MAIN LIFT HYDRAULICS



28

ITEM	PART NO.	DESCRIPTION
1	25580	8MJx8MORB ELBOW
2	233689	3/8x180 HOSE (FF)(12'WING)
	13484	3/8x156 HOSE (FF)(9'WING)
	13483	3/8x120 HOSE (FF)(6'WING)
3	56540	3/8x89 HOSE (FF)
4	233688	3/8x252 HOSE (FF)(12'WING)
	56540	3/8x89 HOSE (FF)
	13580	3/8x96 HOSE (FF)
	13484	3/8x156 HOSE (FF)

ITEM	PART NO.	DESCRIPTION
5	13238	8MJ TEE
6	13261	3/8x30 HOSE (FF)
7	59909	3/8x168 HOSE (FF)(12'WING)
	67634	3/8x132 HOSE (FF)(9'WING)
	13482	3/8x108 HOSE (FF)(6'WING)
8	67683F	4x12.6 HYDRAULIC CYLINDER
9	208612	1/2x204 HOSE (FF)
10	222199	1/2x24 HOSE (MF)
11	13239	8MJx8MJ UNION
12	233250	1/2x80 HOSE (FF)
13	54902	MAIN UP DECAL
14	54903	MAIN DOWN DECAL
15	13234	8MJx8MPT COUPLER ADAPTER
16	60640	QUICK DISCONNECT COUPLER
17	67688F	4x10.8 HYDRAULIC CYLINDER
18	234895	CLEVIS PLATE

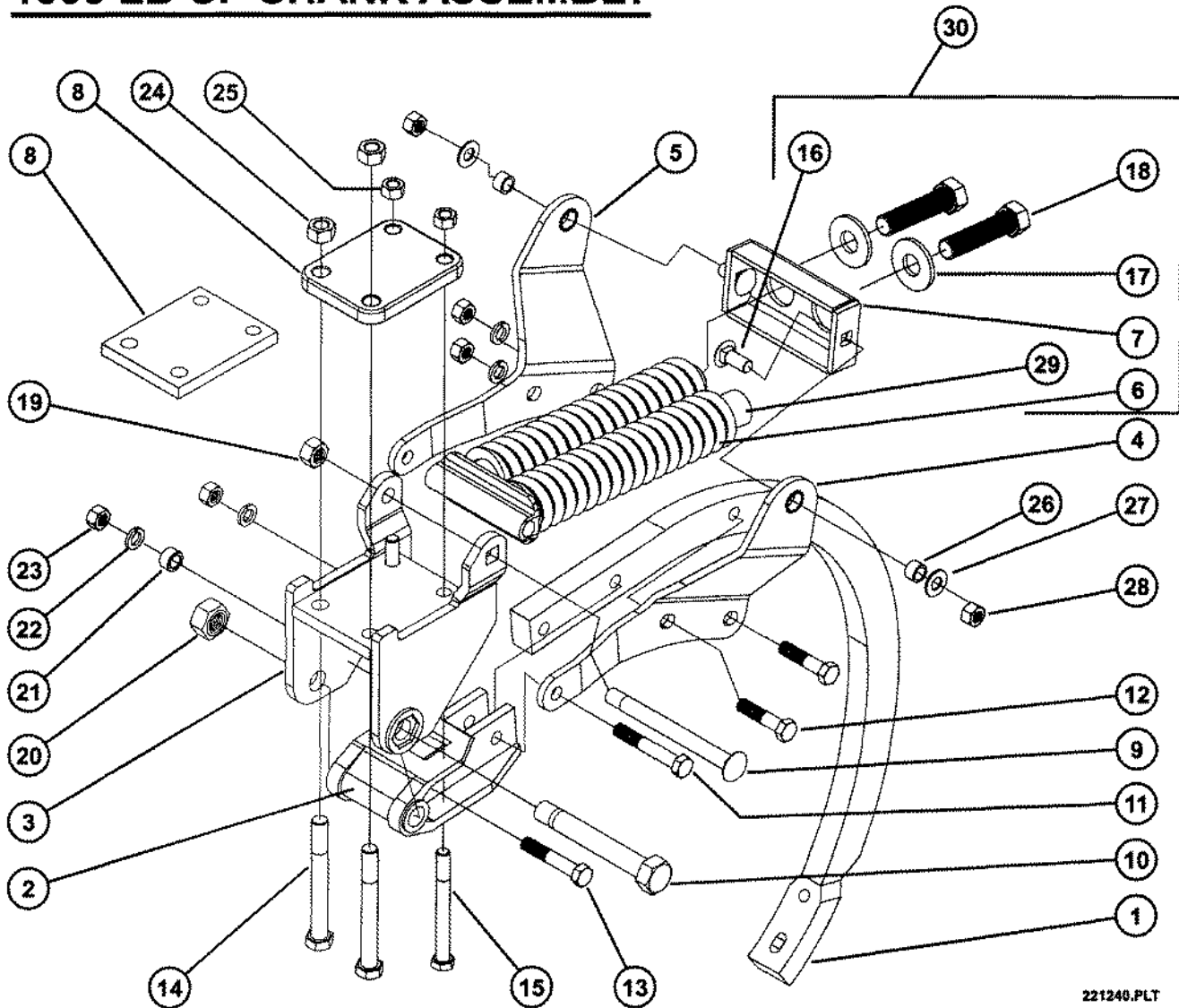


ITEM	PART NO.	DESCRIPTION
5	51975	DCV VALVE
6	13236	8MJx8MPT ELBOW
7	13261	3/8x30 HOSE (FF)
8	59909	3/8x168 HOSE (FF)(12' WING)
	67834	3/8x132 HOSE (FF)(9' WING)
9	67683F	4x12.6 HYDRAULIC CYLINDER
10	208612	1/2x204 HOSE (FF)
11	66889	REBOUND VALVE
12	24024	8MORDx8MJ ADAPTER
13	222199	1/2x24 HOSE (MF)
14	13239	8MJx8MJ UNION
15	233250	1/2x80 HOSE (FF)
16	54902	MAIN UP DECAL
17	54903	MAIN DOWN DECAL
18	13234	8MJx8MPT COUPLER ADAPTER
19	60640	QUICK DISCONNECT COUPLER
20	67688F	4x10.8 HYDRAULIC CYLINDER
21	234895	CLEVIS PLATE

ITEM	PART NO.	DESCRIPTION
1	25580	8MJx8MORB ELBOW
2	233689	3/8x180 HOSE (FF)(12' WING)
	13484	3/8x156 HOSE (FF)(9' WING)
3	56540	3/8x89 HOSE (FF)
4	233688	3/8x252 HOSE (FF)(12' WING)
	56540	3/8x89 HOSE (FF)(9' WING)
	13580	3/8x96 HOSE (FF)(9' WING)

5830 MAIN LIFT HYDRAULICS

1000 LB CP SHANK ASSEMBLY

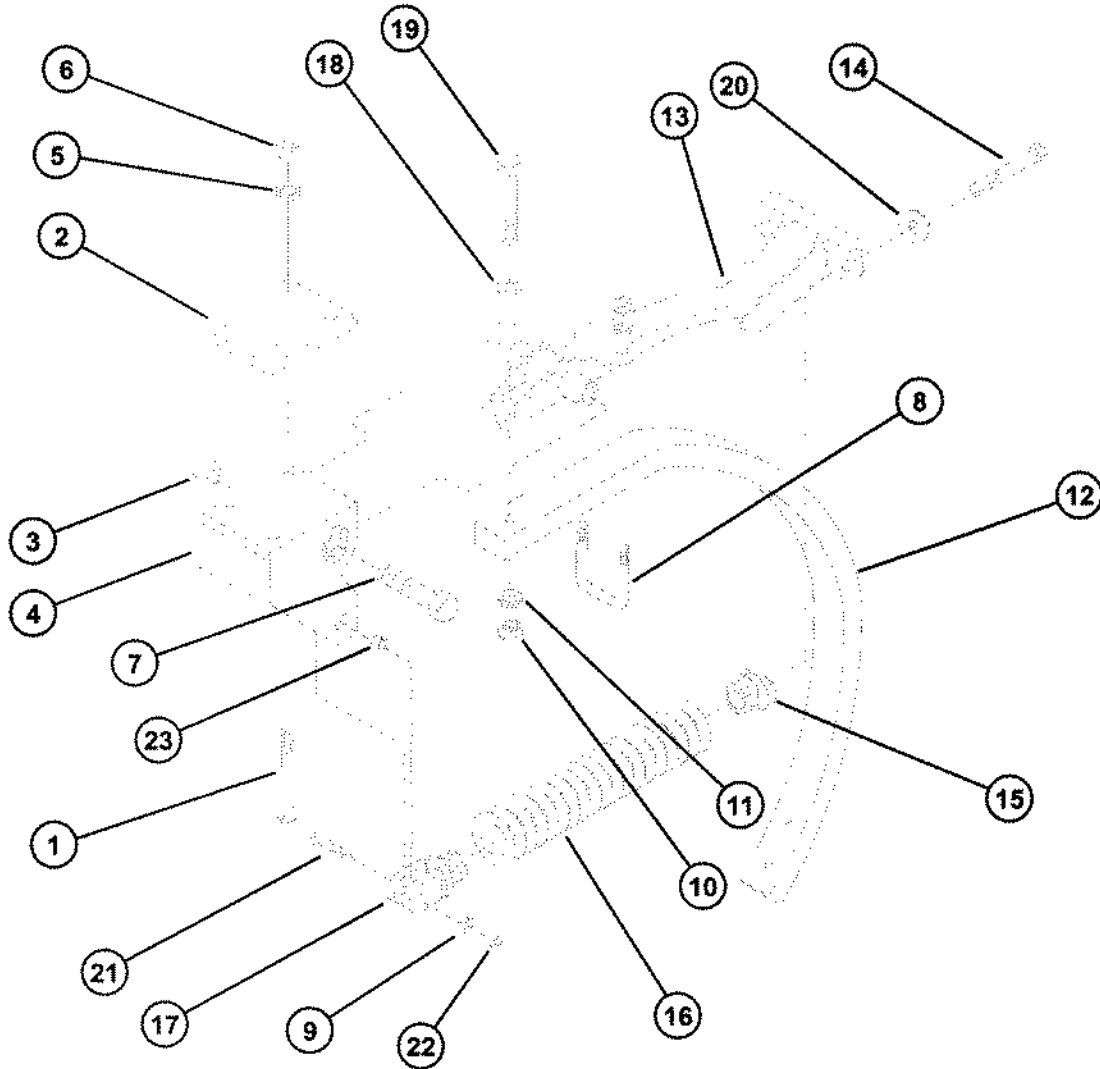


221240.PLT

ITEM	PART NO.	DESCRIPTION
1	64977	SHANK (GRAY)
2	67196	CAST SHANK HOLDER
3	221193	SHANK BRACKET
4	221194	SIDE PLATE L/H
5	221195	SIDE PLATE R/H
6	23378	COMPRESSION SPRING (GRAY)
7	65373	SPRING RETAINER
8	234084	CAST TOP PLATE (GRAY)
	221196	MOUNT PLATE - PAINTED
9	69030	3/4NC-2A GR8 CARRIAGE BOLT
10	14987	PIVOT BOLT (CP SHANK)
11	88945	5/8NCx4 GR GR8 BOLT
12	88949	5/8NCx2-3/4 GR8 BOLT
13	88292	5/8NCx3-1/2 GR5 BOLT
14	89385	3/4NFx6-1/2 GR8 BOLT

ITEM	PART NO.	DESCRIPTION
15	88933	5/8NCx6 GR8 BOLT
16	89154	5/8NCx1-1/2SHTNCK CARRIAGE BOLT
17	88196	WSHR FLAT 1(1-1/16x2-1/2ACT)
18	66226	1NCx4 GR2 HVY HEX BLT W/NYLK
19	88356	NUT 2POSLK 3/4NC
20	88169	NUT 2POSLK 1NF
21	56932	9/16 x 1 SPACER
22	88129	WSHR HLK 5/8ID(11/16ACT)
23	88126	NUT HEX 5/8NC
24	89386	NUT NYL 3/4NF
25	88627	NUT NLK 5/8NC
26	64978	BUSHING
27	88630	WSHR FLT 5/8SAE(21/32X1-5/16)
28	89158	NUT TOP LK 5/8NC
29	222037	SPRING BRACKET
30	223527	COMPRESSION SPRING PACKAGE

650 LB CP SHANK ASSEMBLY



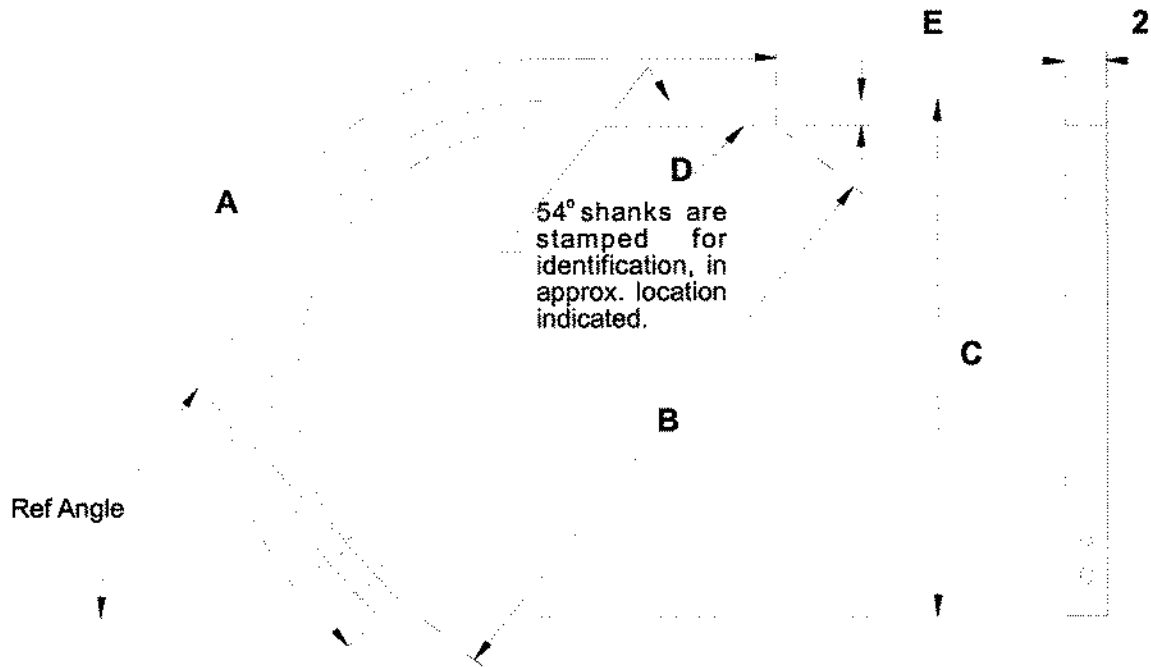
ITEM PART NO DESCRIPTION

	57969	32" 54° CP Shank Assembly
	57966	16.12 Spring Assembly (32") (Includes Items 15-17)
1	88295	5/8NCx6 GR5 Bolt
2	12751	Frame Plate
3	88169	1NF Lock Nut
4	57941	Shank Holder Frame
5	88129	5/8 Lock Washer
6	88126	5/8NC Nut
7	14987	Pivot Bolt
8	88441	5/8NCx2x3-1/4 U-Bolt
9	88303	1/2 Lock Washer

ITEM PART NO DESCRIPTION

10	89080	3/4NC Nut
11	88130	3/4 Lock Washer
12	55485	32" 54° CP Shank
13	62591	Shank Holder
14	10210	Adjustment Bolt
15	57948	Cast Spring Plug
16	57961	13-15/16 Extension Spring (32")
17	57946	Spring Clevis
18	62639	Stop Collar
19	88421	3/4NCx4-1/2 GR5 Bolt
20	88548	3/4 SAE Flat Washer(13/16x1-1/2)
21	58032	1/2NCx2-1/2 HDN Bolt
22	88621	1/2NC Nylock Nut
23	56908	1/2 Spring Tension Bushing

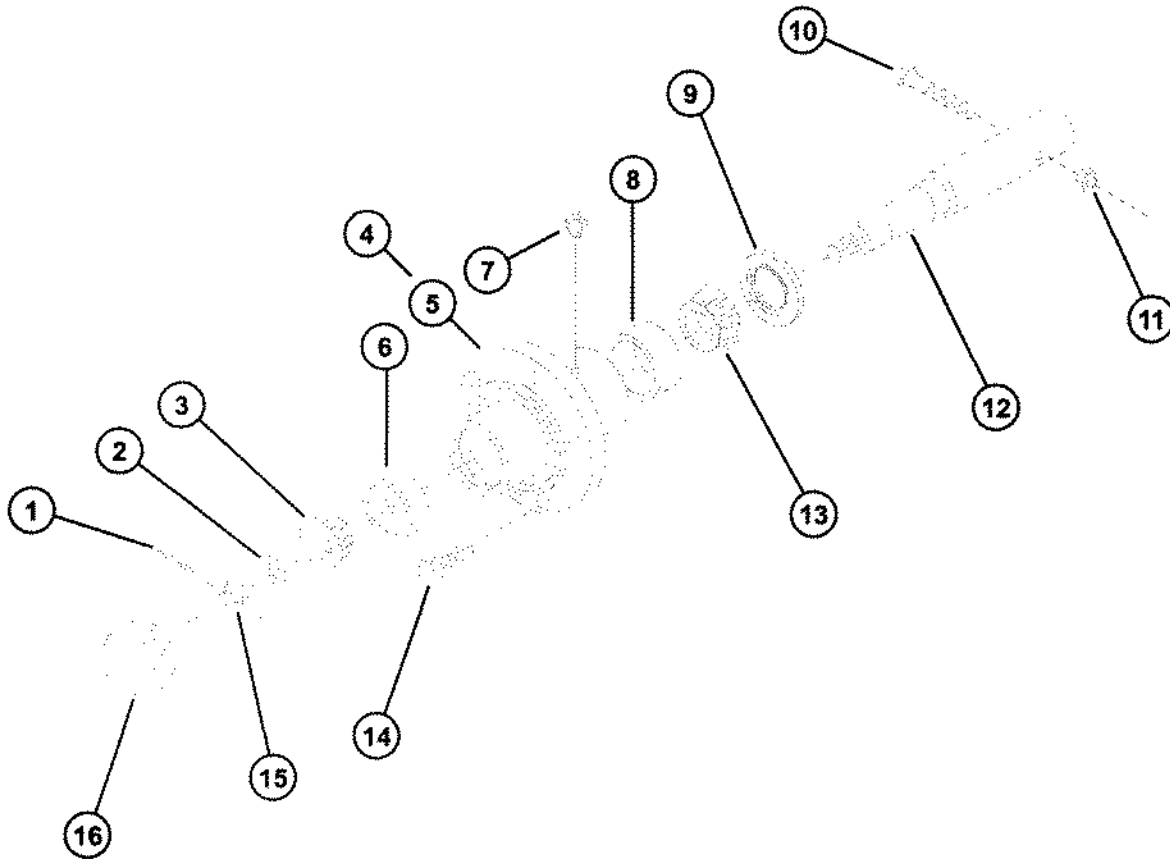
CHISEL PLOW SHANK MEASUREMENT



26IN47

REF ANGLE	PART NO.	STYLE	DESCRIPTION	A	B	C	D	E
54°	55485	RESET	32" 54 CP SHANK	44-1/4	28-3/4	24	3/4 DIA	1-1/4
NOTE: All measurements are in inches								

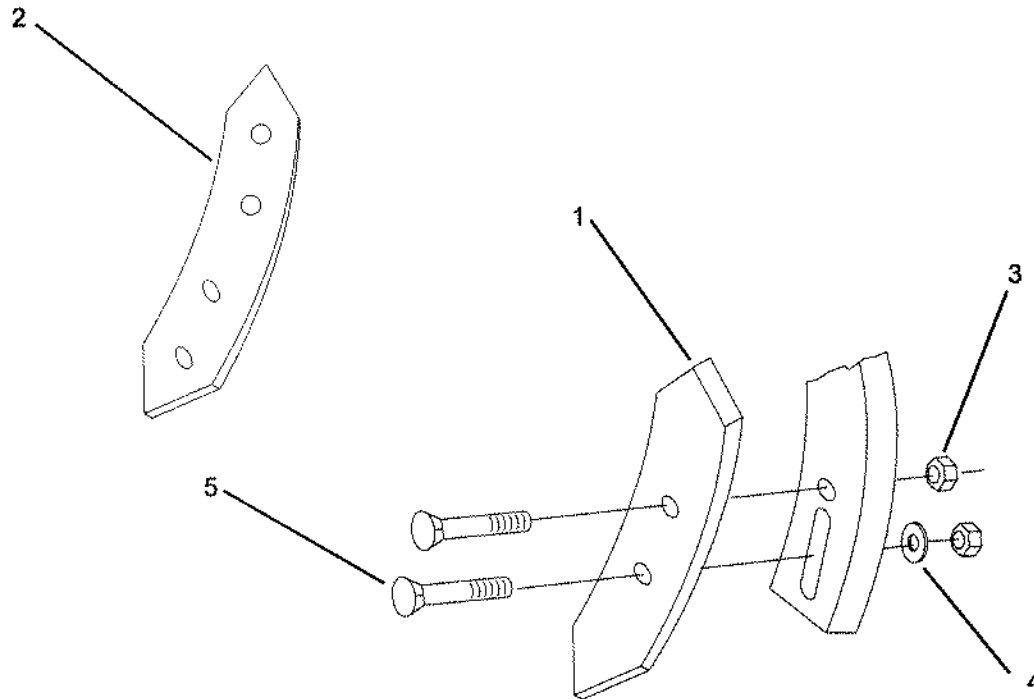
2" HUB & SPINDLE



77836.PLT

ITEM	PART NO.	DESCRIPTION
	14131	2" HUB & SPINDLE ASSY (INCLUDES 1-4 & 9-16)
1	88301	PIN COT 3/16DIAx1-1/2
2	16094	SPINDLE WASHER 7/8ID
3	10345	BEARING CONE 1-1/4ID (LM67048)
4	69032	2IN PRESSED HUB
5	42293	2IN MACHINED HUB
6	10344	BEARING CUP 2.328 OD (LM67010)
7	88263	FTG GRS 1/8NPT 1610-BL(11/16")
8	14249	BEARING CUP 2.891 OD (LM501310)
9	58546	2" TRIPLE LIP SEAL
10	88429	1/2NFx3-1/4 GR5 BOLT
11	88304	NUT 2POSLK 1/2NF
12	14251	2" AXLE SPINDLE
13	14248	BEARING CONE 1-5/8ID (LM501349)
14	88142	WHEEL BOLT 1/2NFx1 (13/16 HEAD)
15	88340	NUT SLTD 7/8NF
16	11381	DUST CAP

SPIKES

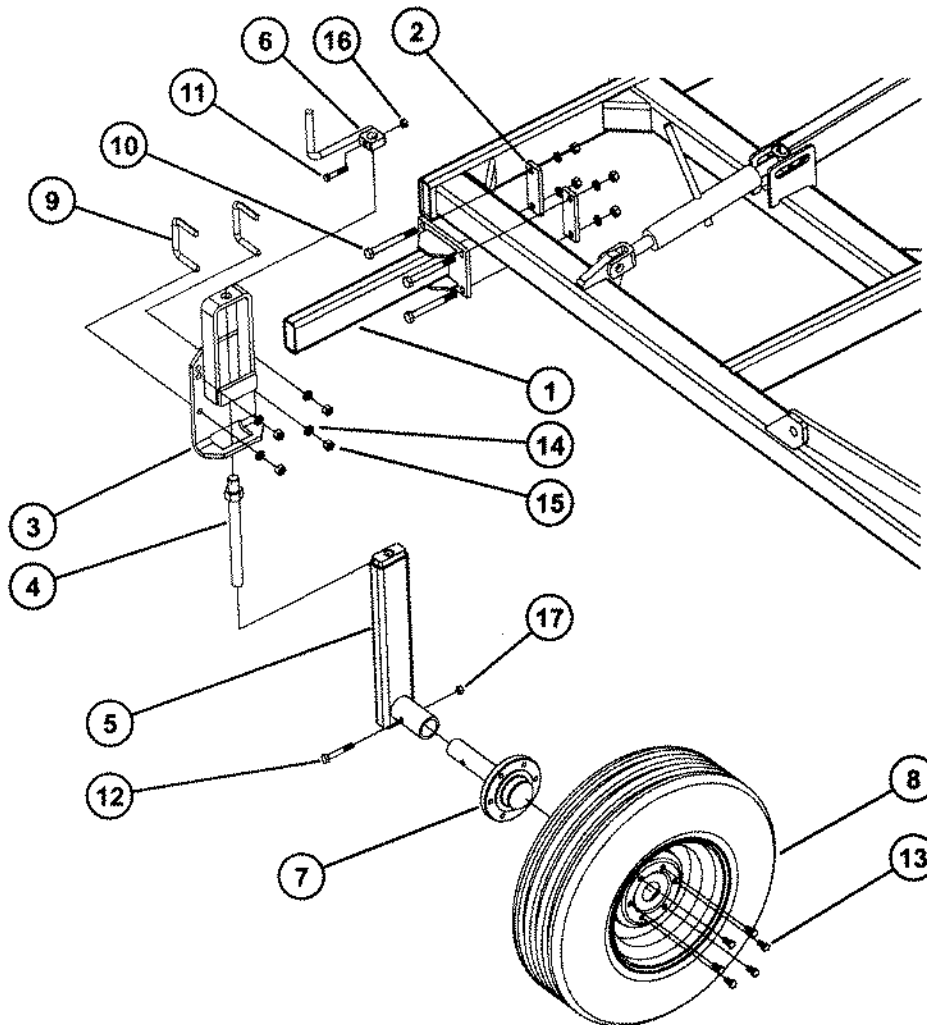


77905A

ITEM	PART NO	DESCRIPTION
	14692	HK CP Shovel Hdw Pkg 1/2NCx2-1/2 (Box of 50) (Includes 3, 4 & 5)
	222696	5/8x2x15 Spike w/ Hrw Pkg
	222697	1/2x3x22 LH Spike w/ Hrw Pkg
	222698	1/2x3x22 RH Spike w/ Hrw Pkg
1	223817	Spike, 5/8"x2"x15 (Plain)
2	66281	Twisted Spike, 1/2"x3"x22" (L)
	66280	Twisted Spike, 1/2"x3"x22" (R)

ITEM	PART NO	DESCRIPTION
3	88346	1/2NC Heavy Nut
4	88347	1/2 Flat Washer
5	88384	1/2NCx2-1/2 No. 3 Plow Bolt

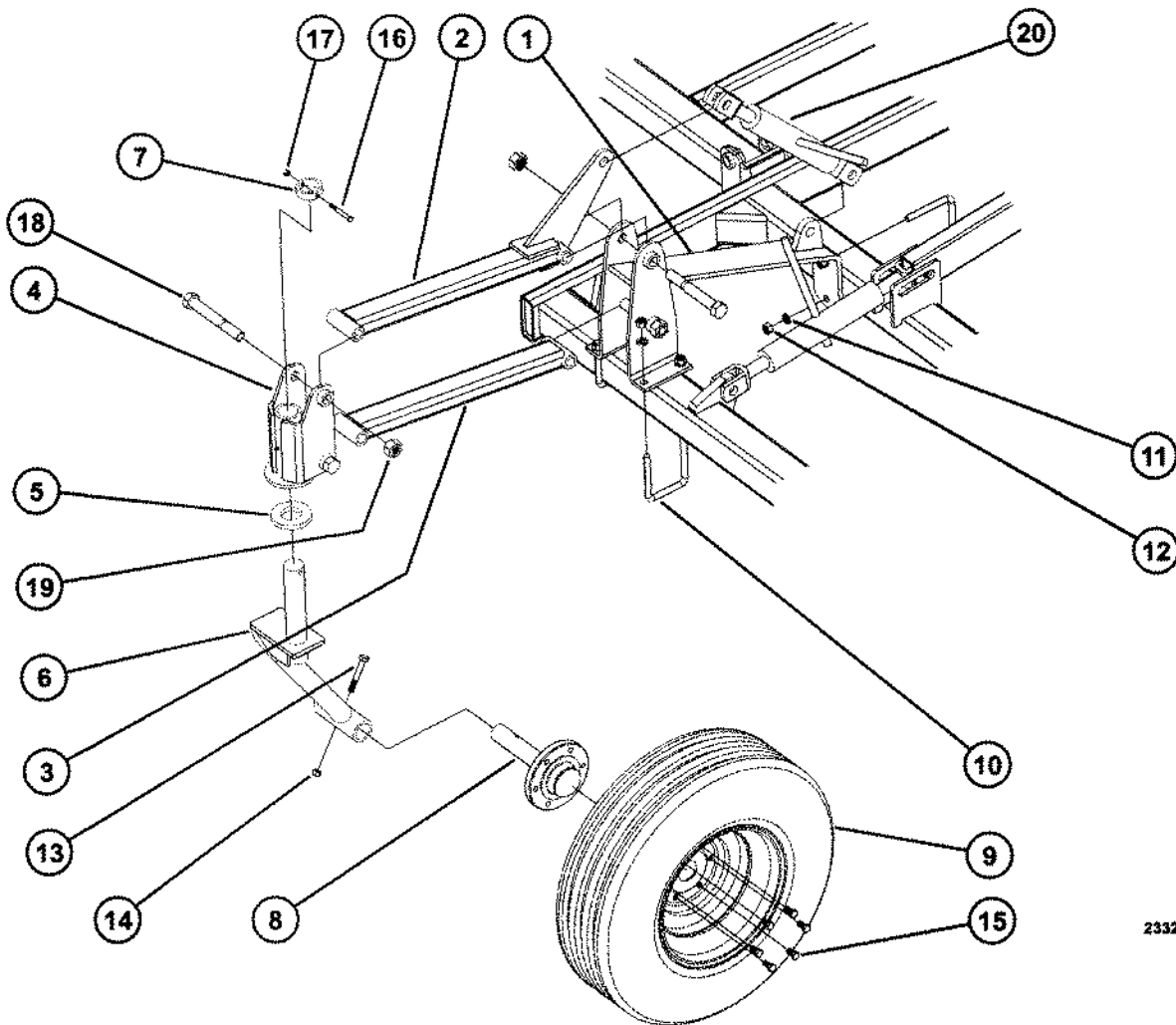
FRONT MOUNT RIGID GAUGE WHEEL



233256_B.PLT

ITEM	PART NO.	DESCRIPTION
	233256	STABILIZER GAUGE WHEEL W/ 9:5L TIRE (PAIR)
1	15321	GAUGE WHEEL MOUNT
2	15627	HINGE PLATE
3	233882	GAUGE WHEEL MAST
4	233887	ADJUST ROD SUB ASSY-PLATED
5	233889	GAUGE WHEEL LEG
6	233886	GAUGE WHEEL CRANK
7	14131	2" HUB & SPINDLE ASSY
8	13142	WHL ASSY 95L x 15 6B 6" 8P GRAY
9	88388	5/8NCx4x3-1/4 U-BOLT
10	88933	5/8NCx6 GR8 BOLT
11	88410	1/2NCx2-1/2 GR5 BOLT
12	88429	1/2NFx3-1/4 GR5 BOLT
13	88142	1/2NFx1 (13/16 HEAD)
14	88129	WSHR HLK 5/8ID(11/16ACT)
15	88126	NUT HEX 5/8NC
16	88363	NUT 2POSLK 1/2NC
17	88304	NUT 2POSLK 1/2NF

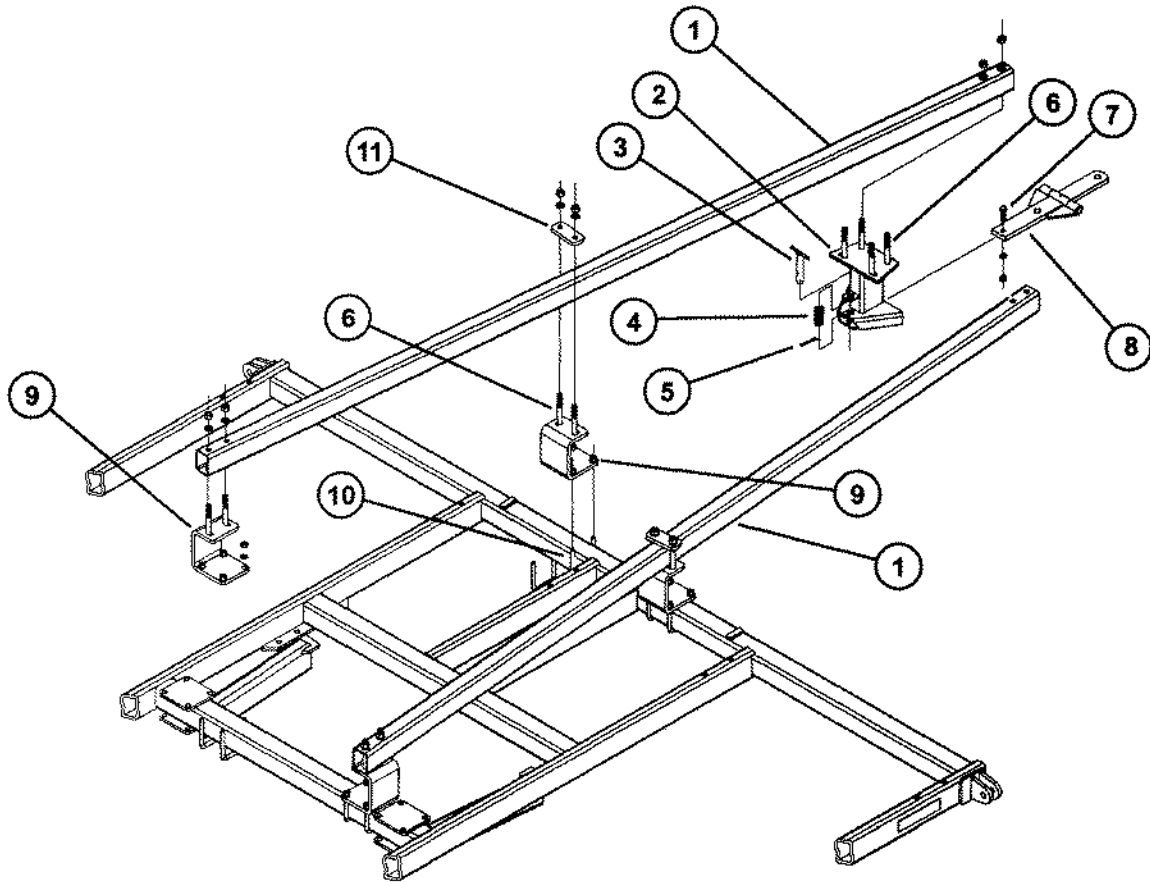
CASTERING GAUGE WHEEL



233282_A.PLT

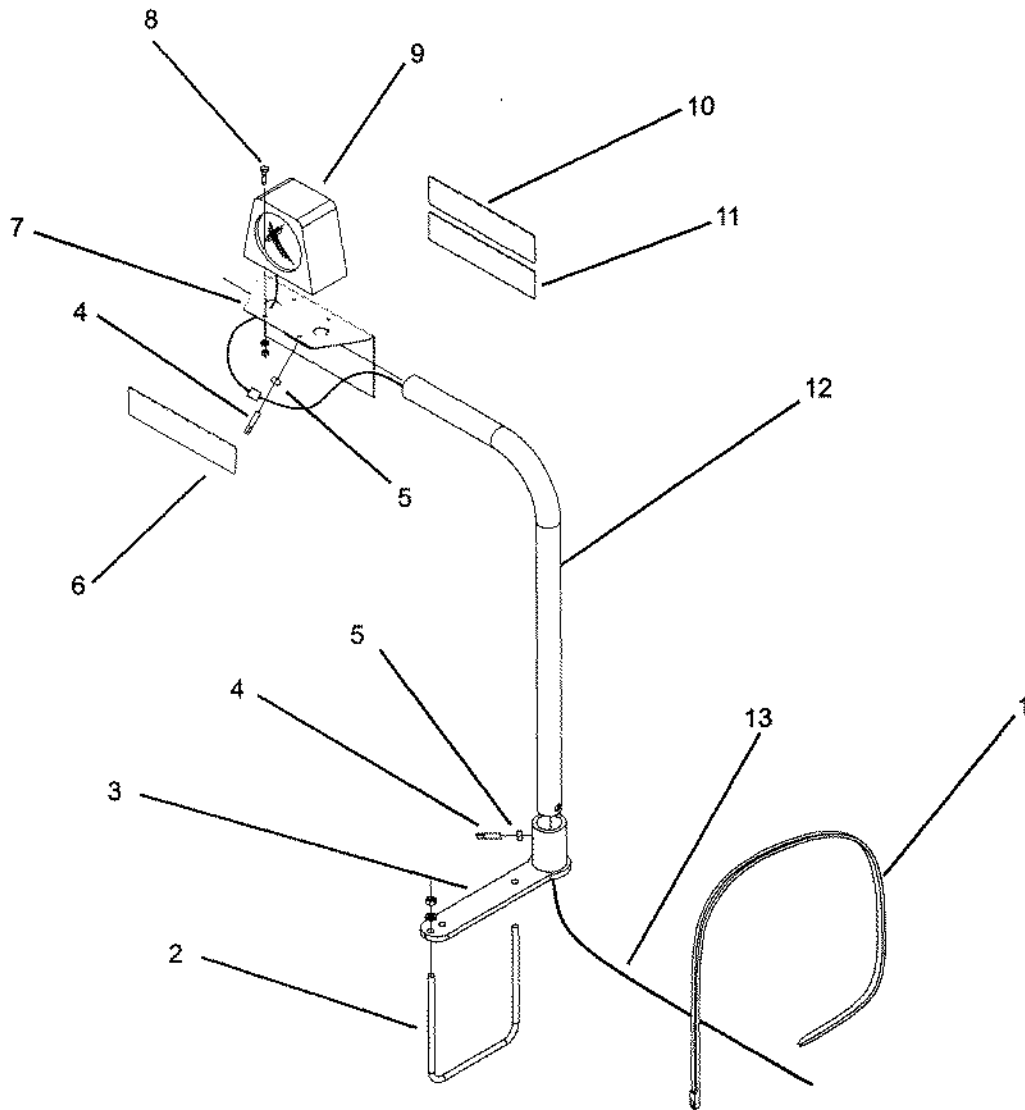
ITEM	PART NO.	DESCRIPTION
	233258	CASTERING GAUGE WHEEL W/ 9.5L TIRE (PAIR)
1	233225	PIVOT GAUGE WHEEL MOUNT
2	233227	TOP GAUGE WHEEL ARM
3	233235	GAUGE WHEEL TUBE - PAINTED
4	233230	GAUGE PIVOT BRACKET
5	19262	SHIM
6	16312	CASTER WHEEL LEG
7	14189	LINK ARM STOP COLLAR
8	41233	1-3/4" HUB & SPINDLE ASSY
9	13142	WHL ASSY 95L x 15 6B 6"8P GRAY
10	88388	5/8NCx4x3-1/4 U-BOLT
11	88129	WSHR HLK 5/8ID (11/16ACT)
12	88126	NUT HEX 5/8NC
13	88429	1/2NFx3-1/4 GR5 BOLT
14	88304	NUT 2POSLK 1/2NF
15	88142	BLT WHL 1/2-20NFx1 (13/16 HEAD)
16	88531	3/8NCx3 GR5 BOLT
17	88162	NUT 2POSLK 3/8NC
18	14987	PIVOT BOLT (CP SHANK)
19	88169	NUT 2POSLK 1NF
20	33104	GAUGE WHEEL JACK

AUXILIARY HITCH



ITEM	PART NO.	DESCRIPTION
1	233371	REAR HITCH TUBE
2	58281	HITCH MOUNT
3	58284	HITCH PIN(1x2-27/32)
4	15940	SPRING
5	88101	COTTER PIN (1/4x2-1/2)
6	88293	3/4NCx6 GR5 BOLT
7	88294	5/8NCx2 GR5 BOLT
8	18443	HINGE TONGUE ASSEMBLY
9	233375	HITCH TUBE MOUNT
10	88145	5/8NCx4x5-1/4 U-BOLT
11	233372	TUBE STRAP

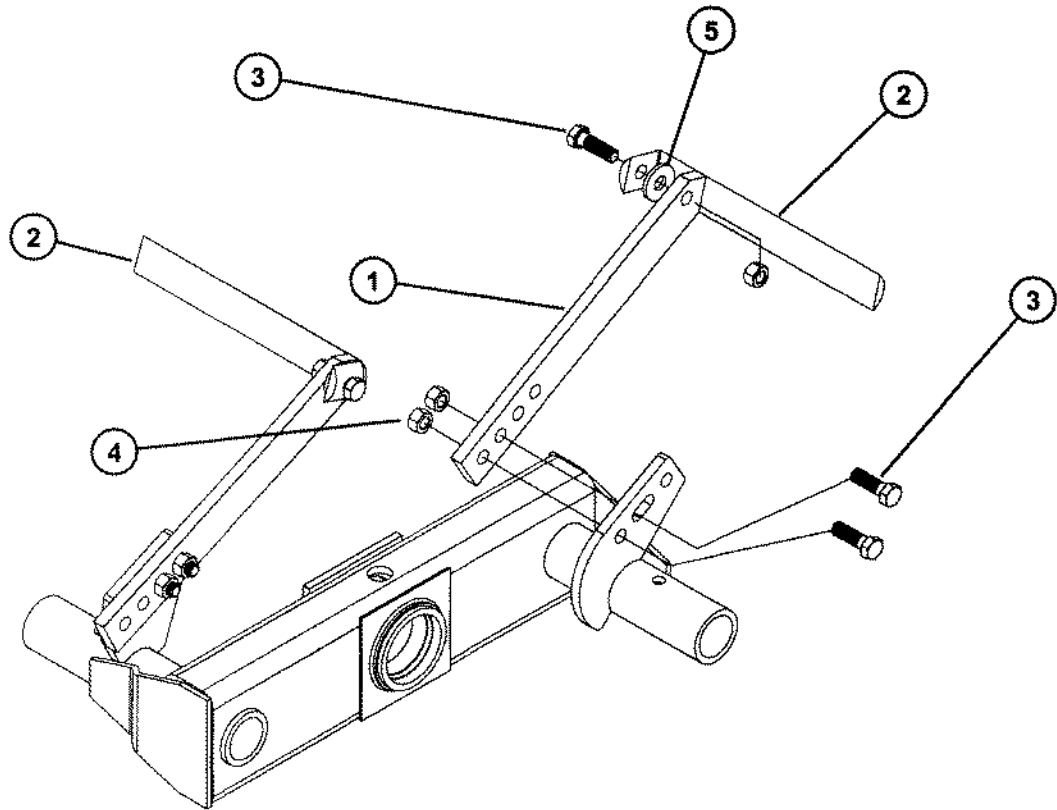
LIGHTS



ITEM	PART NO	DESCRIPTION
	223163	LIGHT KIT (RIDGID)
	234780	LIGHT KIT (4, 6 WING)
	223780	LIGHT KIT (9, 12 WING)
1	13479	4" SQUARE TIE LOOP
2	88385	3/8NCx4x4-3/4 U-BOLT
3	223130	SHORT BASE PIVOT
4	88702	3/8NCx3/4 SQ HEAD SET SCREW
5	88103	3/8NC NUT
6	22372	YELLOW DECAL
7	223126	LIGHT/REFLECTOR BRACKET
8	88203	1/4NCx1 BOLT
9	223143	AMBER LIGHT
	223144	RED LIGHT
10	22371	RED DECAL

ITEM	PART NO	DESCRIPTION
11	223118	RED/ORANGE FLUORESCENT DECAL
12	223140	12x12 LIGHT ARM
	223156	27x33 LIGHT ARM
	223121	48" OFFSET LIGHT ARM
13	223330	AG LIGHT KIT
	223145	AG MODULE
	223146	WISHBONE 4 LEAD
	64597	30' HARNESS

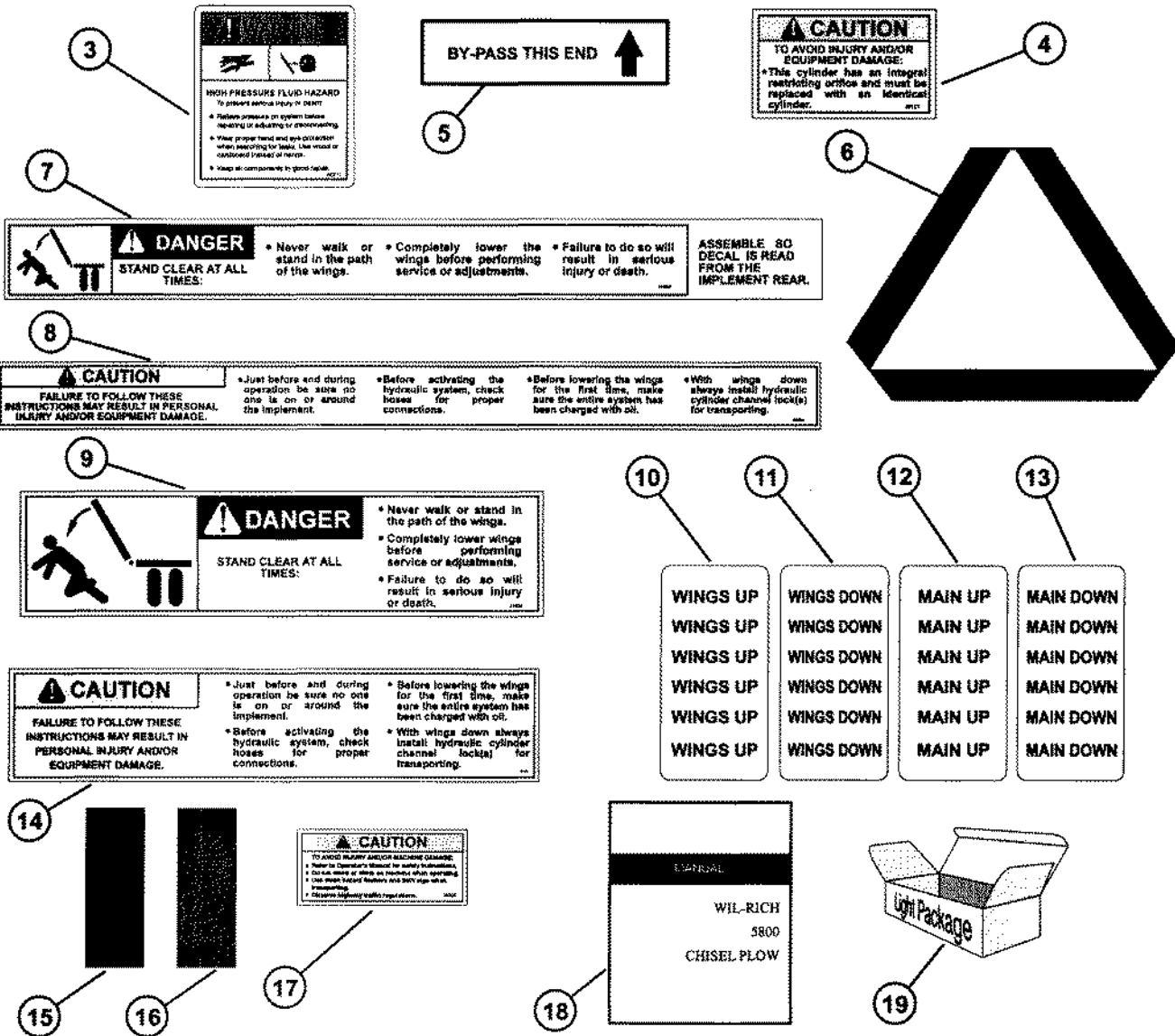
MUD SCRAPERS



ITEM	PART NO	DESCRIPTION
	61851	TIRE SCRAPER KIT (PR)
1	61835	SCRAPER BAR
2	61837	5/8 DIAx13-1/2 SCRAPER BAR
3	88294	5/8NCx2 GR5 BOLT
4	88845	5/8NC LOCK NUT
5	88277	5/8 FLAT WASHER

NOTE: 1 Kit does two (2) tires.

DECALS



ITEM	PART NO	DESCRIPTION
1	65342	WIL-RICH DECAL
	235005	5800 DECAL KIT
2	235004	5800 DECAL
3	60711	HIGH PRESSURE FLUID HAZARD
4	20121	INTEGRAL RESTRICTOR DECAL
5	20339	BYPASS DECAL
6	41345	SMV KIT
7	41508	WING LOCK DANGER DECAL
8	53334	CAUTION DECAL
9	49163	WING LOCK DANGER DECAL
10	54900	WINGS UP DECAL

ITEM	PART NO	DESCRIPTION
11	54901	WINGS DOWN DECAL
12	54902	MAIN UP DECAL
13	54903	MAIN DOWN DECAL
14	49165	CAUTION DECAL
15	22372	AMBER REFLECTOR
16	22371	RED REFLECTOR
17	23325	CAUTION DECAL - READ
18	74244	5800 ASSEMBLY MANUAL
	74245	5800 OPERATORS MANUAL
19	64594	CLEARANCE LIGHT PACKAGE

Index1

Symbols

10210	Adjustment Bolt	31	20339	BYPASS DECAL	40
10344	BEARING CUP 2.328 OD (LM67010)	33	208612	1/2x204 HOSE (FF)	24, 25, 26, 27, 28, 29
10345	BEARING CONE 1-1/4ID (LM67048)	33	220871	WING LINK STRAP	14, 15, 16
11381	DUST CAP	33	221193	SHANK BRACKET	30
11984	WING LOCK PIN 5/8x4-15/16	10	221194	SIDE PLATE L/H	30
12103	BEARING CONE 1-3/4ID	11	221195	SIDE PLATE R/H	30
12751	Frame Plate	31	221196	MOUNT PLATE - PAINTED	30
12796	POLE JACK	10	221714	HEADLESS PIN(2) 1x3-7/32	4, 5, 14, 15, 16
12796	Pole Jack	38	221717	1/4x68 HOSE (FF)	20, 21, 22, 23
13142	WHL ASSY 95L x 15 6B 6" 8P GRAY	35	221841	CHISEL PLOW WING AXLE	11
13142	WHL ASSY 95L x 15 6B 6" 8P GRAY	36	221851	3FT CP WING - RIGHT	17
13234	8MJx8MPT COUPLER ADAPTER	24, 25, 26, 27, 28, 29	221853	LIFT LINK ARM - LONG	16
13236	8MJx8MPT ELBOW	26, 29	22187	HEADLESS PIN(2) 1-1/2x6-9/16	7
13238	8MJ TEE	24, 25, 26, 27, 28	221908	13FT 5830 CP MAIN FRAME	6, 7
13239	8MJx8MJ UNION	24, 25, 27, 28, 29	221908	13FT CHISEL PLOW FRAME	5
13261	3/8x30 HOSE (FF)	24, 26, 27, 28, 29	221914	13FT 5830 RIGHT HITCH POLE	6
13265	3/8x56 HOSE (FF)	24, 25, 26	221914	RIGHT HITCH POLE	9
13482	3/8x108 HOSE (FF)	25, 26, 27, 28	221918	HITCH TIE TUBE	6
13483	3/8x120 HOSE (FF)	26, 28	221919	13FT 5830 LEFT HITCH POLE	6
13484	3/8x156 HOSE (FF)	28, 29	221919	LEFT HITCH POLE	9
13580	3/8x96 HOSE (FF)	28, 29	221923	13FT 5830 OUTER POLE BRACE - RIGHT	7
13963	MAIN FRAME 1FT STUB	12	221923	OUTER POLE BRACE - RIGHT	8
14131	2" HUB & SPINDLE ASSY	33, 35	221928	10FT 5810 CP MAIN AXLE ASSY	4
14189	LINK ARM STOP COLLAR	36	221931	CHISEL PLOW PIVOT HITCH	7
14248	BEARING CONE 1-5/8ID (LM501349)	33	221938	13FT CP MAIN AXLE	11
14249	BEARING CUP 2.891 OD (LM501310)	33	221943	LEFT 3x20 WALKING TANDEM	11
14251	2" AXLE SPINDLE	33	221943	RIGHT 3x20 WALKING TANDEM	11
14408	HEADLESS PIN(2) 1x6-13/16	17	221944	LEFT 3x20 WALKING TANDEM	11
14644	3/8x36 HOSE (FF)	25	221958	12FT CP WING - RIGHT	16
14851	3/8x42 HOSE (FF)	27	221959	12FT CP WING - LEFT	16
14987	Pivot Bolt	31	22199	1/2x24 HOSE (MF)	28
14987	PIVOT BOLT (CP SHANK)	30, 36	221994	OUTER POLE BRACE - LEFT	7, 8
15321	GAUGE WHEEL MOUNT	35	222046	WING REST	9
15627	HINGE PLATE	35	222047	PIVOT SHAFT	7
15940	SPRING	37	222189	CAT HITCH	7
16094	SPINDLE WASHER 7/8ID	33	222199	1/2x24 HOSE (MF)	28, 29
16277	TANDEM SHAFT	11	222193	CP SHANK STUB	12
16278	BEARING BUSHING	11	222338	HEADLESS PIN(2) 1x4-1/8	14, 15, 16
16306	Pin	38	222900	13FT CP MAIN AXLE ASSY	5
16312	CASTER WHEEL LEG	36	222901	CP WING AXLE ASSY - RIGHT	11, 14, 15, 16
18443	HINGE TONGUE ASSEMBLY	37	222902	CP WING AXLE ASSY - LEFT	11, 14, 15, 16
19262	SHIM	36	22371	RED REFLECTOR	40
19391	3PC TWISTED MOLDBOARD(R)	34	22372	AMBER REFLECTOR	40
19392	3PC TWISTED MOLDBOARD(L)	34	22724	Jack Stand Bracket	38
19393	LEFT MOLDBOARD	34	23039	Hairpin Cotter 2.69"	38
19394	RIGHT MOLDBOARD	34	23120	SEAL	11
19395	LEFT POINT	34	233208	JACK MOUNT TUBE	10
19396	RIGHT POINT	34	233225	PIVOT GAUGE WHEEL MOUNT	36
19397	LEFT FROG	34	233226	STUB PLATE	12
19398	RIGHT FROG	34	233227	TOP GAUGE WHEEL ARM	36
20121	INTEGRAL RESTRICTOR DECAL	40	233230	GAUGE PIVOT BRACKET	36
			233232	STUB PLATE PAINTED	12
			233233	MOUNT PLATE PAINTED	7

233234	MOUNT PLATE PAINTED	6	41233	1-3/4" HUB & SPINDLE ASSY	36
233235	GAUGE WHEEL TUBE - PAINTED	36	41345	SMV KIT	40
23325	CAUTION DECAL - READ	40	41508	WING LOCK DANGER DECAL	40
233250	1/2x80 HOSE (FF)		42082	1-1/2NF HYDRA JAM LOCK NUT	11
 24, 25, 26, 27, 28, 29		42293	2IN MACHINED HUB	33
233263	2FT CHISEL PLOW STUB	12	42484	1/4 x 2-1/4 ROLL PIN ... 4, 5, 14, 15, 16	
233315	MAIN MAST TUBE	5	42484	1/4x2-1/4 SPIROL PIN	11
233318	REAR CENTER MAST TUBE	7	43483	3/8x120 HOSE (FF)	25
233323	FRONT MAST LEVER	7	48522	WING LIFT LINK	14, 15, 16
233326	5830 FRONT LIFT TUBE - 103"	7	49163	WING LOCK DANGER DECAL	40
233341	9FT 5810/30 CP WING - RIGHT	15	49165	CAUTION DECAL	40
233345	9FT 5810/30 CP WING - LEFT	15	51229F	4x30 HYDRAULIC CYLINDER	
233347	LIFT LINK ARM - SHORT	14, 15	 20, 21, 22, 23	
233351	WING MAST TUBE	14, 15, 16	51229F	HYD CYL 4x30 FGS #A519CY02	
233356	LINKAGE PIN 1-1/4x6-3/16	7	 13, 14, 15, 16	
233357	LINKAGE PIN 1-1/4x5-3/16	7	51241	324 HYDRAULIC CYLINDER	23
233363	WING REST FLAT	14, 15, 16	51241F	HYD CYL 3x24 FGS #A519CY10	17
233371	REAR HITCH TUBE	37	51975	DCV VALVE	26, 29
233372	TUBE STRAP	37	53334	CAUTION DECAL	40
233375	HITCH TUBE MOUNT	37	54900	WINGS UP DECAL .. 20, 21, 22, 23, 40	
233565	MAIN MAST TUBE	4	54901	WINGS DOWN DECAL	
233676	3FT CP WING - LEFT	17	 20, 21, 22, 23, 40	
233686	1/4x156 HOSE(FF)	23	54902	MAIN UP DECAL	
233687	1/4x168 HOSE(FF)	23	 24, 25, 26, 27, 28, 29, 40	
233688	3/8x252 HOSE (FF)	28, 29	54903	MAIN DOWN DECAL	
233689	3/8x180 HOSE (FF)	28, 29	 24, 25, 26, 27, 28, 29, 40	
23378	COMPRESSION SPRING (GRAY)	30	55478	26" 54 CP Shank	31
233852	6FT 5810/30 CP WING - RIGHT	14	55485	32" 54 CP Shank	31
233853	6FT 5810/30 CP WING - LEFT	14	56540	3/8x89 HOSE (FF)	27, 28, 29
233854	10FT 5810 OUTER POLE BRACE - LEFT		56908	1/2 Spring Tension Bushing	31
 7		56932	9/16 x 1 SPACER	30
233856	10FT 5810 OUTER POLE BRACE-		57941	Shank Holder Frame	31
	RIGHT	7	57946	Spring Clevis	31
233858	10FT 5810 LEFT HITCH POLE	6	57948	Cast Spring Plug	31
233859	10FT 5810 RIGHT HITCH POLE	6	57959	14-1/2 Extension Spring (26")	31
233860	10FT 5810 CP MAIN FRAME	4, 6, 7	57961	13-15/16 Extension Spring (32")	31
233862	10FT 5810 CP MAIN AXLE	11	57966	16.12 Spring Assembly (32")	31
233866	6FT 5810 WING REST	8	57967	16.63 Spring Assembly (26")	31
233868	5810 FRONT LIFT TUBE - 62"	7	57969	32" 54 CP Shank Assembly	31
233873	4FT 5810/30 CP WING - LEFT	13	57973	26" 54 CP Shank Assembly	31
233879	4FT 5810/30 CP WING - RIGHT	13	58032	1/2Ncx2-1/2 HDN Bolt	31
233882	GAUGE WHEEL MAST	35	58281	HITCH MOUNT	37
233886	GAUGE WHEEL CRANK	35	58284	HITCH PIN(1x2-27/32)	37
233887	ADJUST ROD SUB ASSY-PLATED ...	35	58536	1/4x60 HOSE (FF)	23
233889	GAUGE WHEEL LEG	35	58537	1/4x72 HOSE (FF)	23
234084	CAST TOP PLATE (GRAY)	30	58538	1/4x84 HOSE (FF)	23
235004	5800 DECAL	40	58543	6MJx8MORB ADAPTER	23
235005	5800 DECAL KIT	40	58546	2" TRIPLE LIP SEAL	33
24024	8MORDx8MJ ADAPTER	26, 29	58690	6MJx8MPT COUPLER ADAPTER	
24104	6MJx8MORB ELBOW .. 20, 21, 22, 23		 20, 21, 22, 23	
24459	SAFETY CHAIN	7	58692	1/4x36 HOSE (FF)	20, 21, 22, 23
25580	8MJx8MORB ELBOW		59909	3/8x168 HOSE (FF)	28, 29
 24, 25, 26, 27, 28, 29		60640	QUICK DISCONNECT COUPLER	
33104	GAUGE WHEEL JACK 20, 21, 22, 23, 24, 25, 26, 27, 28, 29	
 7, 14, 15, 16, 36		60711	HIGH PRESSURE FLUID HAZARD ...	40
34077	CLIPPED HEAD BOLT	34	61835	SCRAPER BAR	39
34132	AXLE CLAMP ASSEMBLY		61837	5/8 DIAx13-1/2 SCRAPER BAR	39
 4, 5, 14, 15, 16		61851	TIRE SCRAPER KIT (PR)	39

62149	Chisel Plow Rear Jack Stand	38	88294	5/8NCx2 GR5 BOLT	37, 39
62156	CP Jack Leg	38	88295	5/8NCx6 GR5 Bolt	31
62437	6MJx6MORB ELBOW	23	88301	PIN COT 3/16DIAx1-1/2	33
62591	Shank Holder	31	88303	1/2 Lock Washer	31
62639	Stop Collar	31	88304	NUT 2POSLK 1/2NF	33
63723	1/4x108 HOSE (FF)	20, 21, 22, 23	88340	NUT SLTD 7/8NF	33
63724	6MJx6MJ HOSE UNION	20, 21, 22, 23	88346	NUT HVY 1/2NC	34
63791	1/4x96 HOSE (FF)	21, 22, 23	88388	5/8NCx4x3-1/4 U-BOLT	12, 35, 36
64330	1/4x216 HOSE(FF)	23	88393	1NCx2-1/2 GR5 BOLT	7, 14, 15, 16
64346	6MJ TEE	21, 22	88404	3/4NCx2-1/2 GR5 BOLT	14, 15, 16
64594	CLEARANCE LIGHT PACKAGE	40	88408	5/8NCx3 GR5 BOLT	7
64977	SHANK (GRAY)	30	88410	1/2NCx2-1/2 GR5 BOLT	35
64978	BUSHING	30	88421	3/4NCx4-1/2 GR5 Bolt	31
65123	BOP 1' STUB GRP W/MTG HDW (2x4) ..	17	88429	1/2NFx3-1/4 GR5 BOLT	33, 35, 36
	17	88432	PIN ROLL 5/16DIAx2	17
65168	1/4x144 HOSE(FF)	20	88435	PIN-HAIR .14 x 2.56	10
65169	1/4x12 HOSE (FF)	20, 21, 22, 23	88441	5/8NCx2x3-1/4 U-Bolt	31
65342	WIL-RICH DECAL	40	88447	1NCx3-1/2 GR5 BOLT	14, 15, 16
65373	SPRING RETAINER	30	88475	1/2NCx1-1/2 GR5 BOLT	7
65870	SEQUENCE VALVE	23	88497	PLOW BOLT 1/2NCx3-1/2NO3HD	34
66226	1NCx4 GR2 HVY HEX BLT W/NYLK ..	30	88531	3/8NCX3 GR5 BOLT	36
66889	REBOUND VALVE	26, 29	88548	3/4 SAE Flat Washer(13/16x1-1/2)	31
67130	6MJx6MJ CROSS	22, 23	88579	3/4NCx5-1/2 GR5 BOLT	6
67136	6MJ TEE	23	88580	1NCx4-1/2 GR5 BOLT	13, 14, 15, 16
67196	CAST SHANK HOLDER	30	88621	1/2NC Nylock Nut	31
67634	3/8x132 HOSE (FF)	25, 28	88670	1NCx5-1/2 GR5 BOLT	13, 14, 15, 16
67636	3/8x72 HOSE (FF)	24, 26	88771	PIN ROLL 3/8DIAx3	7
67683F	4x12.6 HYDRAULIC CYLINDER	24, 25, 26, 27, 28, 29	88838	5/8NCx1-3/4 GR5 BOLT	14, 15, 16
	24, 25, 26, 27, 28, 29	88845	5/8NC LOCK NUT	39
67688F	4x10.8 HYDRAULIC CYLINDER	25, 26, 28, 29	88933	5/8NCx6 GR8 BOLT	30, 35
	25, 26, 28, 29	88945	5/8NCx4 GR GR8 BOLT	30
67834	3/8x132 HOSE (FF)	29	88949	5/8NCx2-3/4 GR8 BOLT	30
68033	PIN(1x6.38)	11	89080	3/4NC Nut	31
69030	3/4NC-2A GR8 CARRIAGE BOLT	30	89122	5/8NCx3-1/2 GR8 BOLT	7
69032	2IN PRESSED HUB/SEE 24097	33	89154	5/8NCx1-1/2SHTNCK CARRIAGE BOLT	30
74223	EXCEL ASSY/OPERATORS MANUAL	40		30
74231	ASSEMBLY/OPERATOR'S MANUAL	40	89165	3/4NCx13 GR5 BOLT	4, 5, 14, 15, 16
86347	1/2 FLAT WASHER	34	89385	3/4NFx6-1/2 GR8 BOLT	30
88101	COTTER PIN (1/4x2-1/2)	37			
88110	NUT HEX 3/4NC	4, 5			
88126	5/8NC Nut	31			
88129	5/8 Lock Washer	31			
88130	3/4 Lock Washer	31			
88130	WSHR HLK 3/4ID(13/16ACT)	5			
88130	WSHR HLK 3/4ID(13/16ACT) Z	4			
88142	1/2NFx1 (13/16 HEAD)	35			
88142	BLT WHL 1/2-20NFx1 (13/16 HEAD) ..	36			
88142	WHEEL BOLT 1/2NFx1 (13/16 HEAD) ..	33			
88145	5/8NCx4x5-1/4 U-BOLT	37			
88145	5/8NCx4x5-1/4 U-Bolt	38			
88169	1NF Lock Nut	31			
88196	1" FLAT WASHER	11			
88263	FTG GRS 1/8NPT 1610-BL(11/16")	33			
88272	3/4NCx4 GR5 BOLT	12			
88277	5/8 FLAT WASHER	39			
88290	3/4NCx2 GR8 BOLT	7			
88292	5/8NCx3-1/2 GR5 BOLT	30			
88293	3/4NCx6 GR5 BOLT	6, 7, 8, 9, 37			

WARRANTY

The only warranty Wil-Rich gives and the only warranty the dealer is authorized to give is as follows:

We warrant products sold by us to be in accordance with our published specifications or those specifications agreed to by us in writing at time of sale. Our obligation and liability under this warranty is expressly limited to repairing, or replacing, at our option, within 12 months after date of retail delivery, any product not meeting the specifications. ***We make no other warranty, express or implied and make no warranty of merchantability or of fitness for any particular purpose.*** Our obligation under the warranty shall not include any transportation charges or costs or installation or any liability for direct, indirect or consequential damage or delay. If requested by us, products or parts for which a warranty claim is made are to be returned transportation prepaid to our factory. Any improper use, operation beyond rated capacity, substitution of parts not approved by us, or any alteration or repair by others in such manner as in our judgment affects the product materially and adversely shall void this warranty. ***No employee or representative is authorized to change this warranty in any way or grant any other warranty.***

Wil-Rich reserves the right to make improvement changes on any of our products without notice.

When warranty limited or not applicable: Warranty on hoses, cylinders, hubs, spindles, engines, valves, pumps or other trade accessories are limited to the warranties made by the respective manufactures of these components. Rubber tires and tubes are warranted directly by the respective tire manufacturer only, and not by Wil-Rich.

Warranty does not apply to any machine or part which has been repaired or altered in any way so as in the our judgment to affect its reliability, or which has been subject to misuse, negligence or accident.

A Warranty Validation and Delivery Report Form must be filled out and received by Wil-Rich to initiate the warranty coverage.

WARRANTY CLAIMS PROCEDURE

1. The warranty form must be returned to Wil-Rich within fifteen (15) working days from the repair date.
2. Parts returned to Wil-Rich without authorization will be refused. The parts must be retained at the dealership for ninety (90) days after the claim has been filed. If the Service Department would like to inspect the parts, a packing slip will be mailed to the dealer. The packing slip must be returned with the parts. The parts must be returned prepaid within thirty (30) days of receiving authorization. After the parts are inspected and warranty is verified, credit for the return freight will be issued to the dealer.
3. Parts that will be scrapped at the dealership will be inspected by a Wil-Rich Sales Representative, District Sales Manager or Service Representative within the ninety (90) day retaining period.

